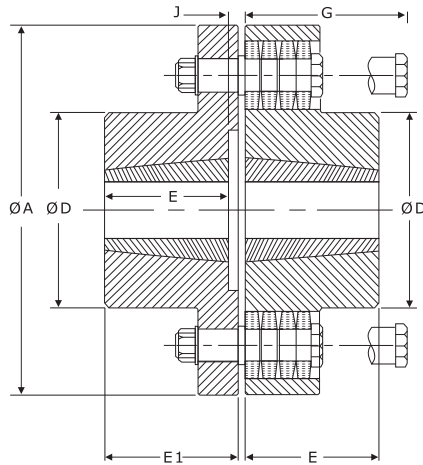


TYPE : URCT COUPLING

(Coupling with Taper Bush & Cone Rings as Elastomers)

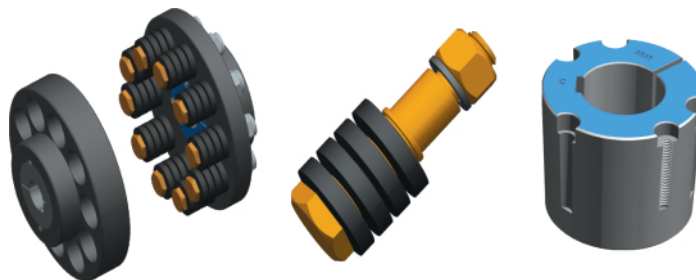


FEATURES

- Simple mechanism, easy to inspect and change the flex cone rings, without moving either shaft or hub of the coupling
- Flex cone rings are the only wear parts. Minimise running cost
- Range up to 16000 Nm
- Taper bush gives clamping on shaft total surface
- Easy to replace thus minimising maintenance time

TECHNICAL DATA

Size	Rated Torque Nm	kW Rating at 100 rpm	Maximum Speed rpm	Taper Bush Size	Dimensions are in mm							Moment of Inertia kg.m ² Approx (Min Bore)	Misalignment		
					Bore Range	Ø A	Ø D	E	E1	G	J		Angular (°)	Parallel (mm)	Axial (mm)
42	290	3.0	4000	1215	12-32	146	70	38	41	88	6	0.013	1°	0.1	1.5
48	480	5.0	3400	1615	14-42	171	82	38	41	114	6	0.032	1°	0.15	1.5
58	760	8.0	3000	2017	14-50	193	97	45	47	114	6	0.053	1°	0.15	1.5
70	1000	11.0	2700	2525	16-60	216	117	64	68	114	6	0.088	1°	0.15	1.5
75	2600	27.0	2300	2525	16-60	254	127	64	68	179	6	0.265	1°	0.2	1.5
85	3500	37.0	2090	3030	24-75	279	147	76	80	179	7	0.39	1°	0.2	1.5
105	5300	56.0	1760	3535	35-90	330	180	89	93	179	6	0.773	1°	0.2	1.5
120	9000	94.0	1570	4040	40-100	370	206	102	106	244	10	1.718	1°	0.25	1.5
135	12000	128.0	1390	4545	55-115	419	230	114	119	244	11	2.869	1°	0.25	1.5
150	16000	167.0	1280	5050	70-127	457	256	127	132	244	11	4.069	1°	0.25	1.5



MANUFACTURED BY

UTKUR IRON & STEEL INDUSTRIES

Plot No. L-51, Additional M.I.D.C., Satara - 415 004. (INDIA)
Ph.: +91 2162 240574, 240974 Fax : + 91 2162 240174

E-mail : sales@utkur.com
website : www.utkur.com

ISSUE - 11 / May 2013



DEALER