



INDUSTRIAL VALVES & FILTERS

*Difference Is Quality!*



**MANISHA INDUSTRIES**

AN ISO 9001-2008 COMPANY

■ [www.glandovalve.com](http://www.glandovalve.com)

■ [www.glandofilters.com](http://www.glandofilters.com)

## Company Profile

Since 1995 MANISHA GROUP OF INDUSTRIES, an ISO 9001-2008 company, has progressed as a leading manufacturer and exporter of Industrial valves. The company manufactures a wide range of industrial valves like Ball, Globe, Gate, Check and Butterfly valves which meet the norms set for Manufacturing Standards by BS, ASA, API, AWWA, ASME under the brand name "GLANDO."

Manisha Industries is located in prime Industrial area at Odhav, Ahmedabad, with the latest State-of the Art Machinery and Modern Facilities for manufacturing, inspection and testing having 3600 square meters of manufacturing area.

Manufacturing Standards	Inspection & Testing Standards
API 600, API 6A, API 6D	API 598, API 603
BS 1414, BS 1868, BS 1873, BS 5153, BS 5352	BS 6755 (PART I), BS 1218, BS 1873, BS 3464 BS 1868, ASTM A B-71, CLASS III
BS 1780, ISI 2906, ISI 5312	ISI 780, ISI 2906, ISI 5312, ISI 6157AW MSSS - SP-61
DIN 3230	DIN 3230

## Human Resource

The strength of Manisha Industries lies in dedicated manpower encouraged by satisfied customers and excellent infrastructure to ensure steady growth. Company has highly skilled and experienced employees working for constant improvement and development of products.

## Quality Our Backbone

Manisha Industries takes every effort to produce a Quality product and delivers high class engineering performance in confirmation to the International Standards & skilled services to the customers.

We strictly adhere to the norms set by ISO 9001 standards for Quality Inspection & Management. A well equipped in-house quality management department carries out every step of inspection and testing with great precision. For every tested valve, a test certificate is issued with manufacturing specifications.

## Hydraulic And Pneumatic Test Pressure For Valves

PRESSURE RATING	BODY		SEAT		BACK SEAT		SEAT (AIR)	TEMPERATURE
	KG/CM2	PSIG	KG/CM2	PSIG	KG/CM2	PSIG	KG/CM2	°C
150 LBS	31	225	22	150	22	150	7	Up to 260 °C
300 LBS	78	1100	58	800	58	800	7	Up to 455 °C
600 LBS	156	2175	115	1600	115	1600	7	Up to 455 °C
800 LBS	211	2954	141	1974	141	1974	7	Up to 455 °C
900 LBS	235	3250	178	2380	178	2380	7	Up to 455 °C
1500 LBS	392	5400	287	3960	287	3960	7	Up to 455 °C
2500 LBS	651	9275	478	6780	478	6780	7	Up to 455 °C
PN-40	60	840	40	560	40	560	7	---
PN-64	96	1344	64	896	64	896	7	---
PN-100	150	2100	100	1400	100	1400	7	---
PN-250	375	5250	250	3500	250	3500	7	---



*Difference Is Quality!*

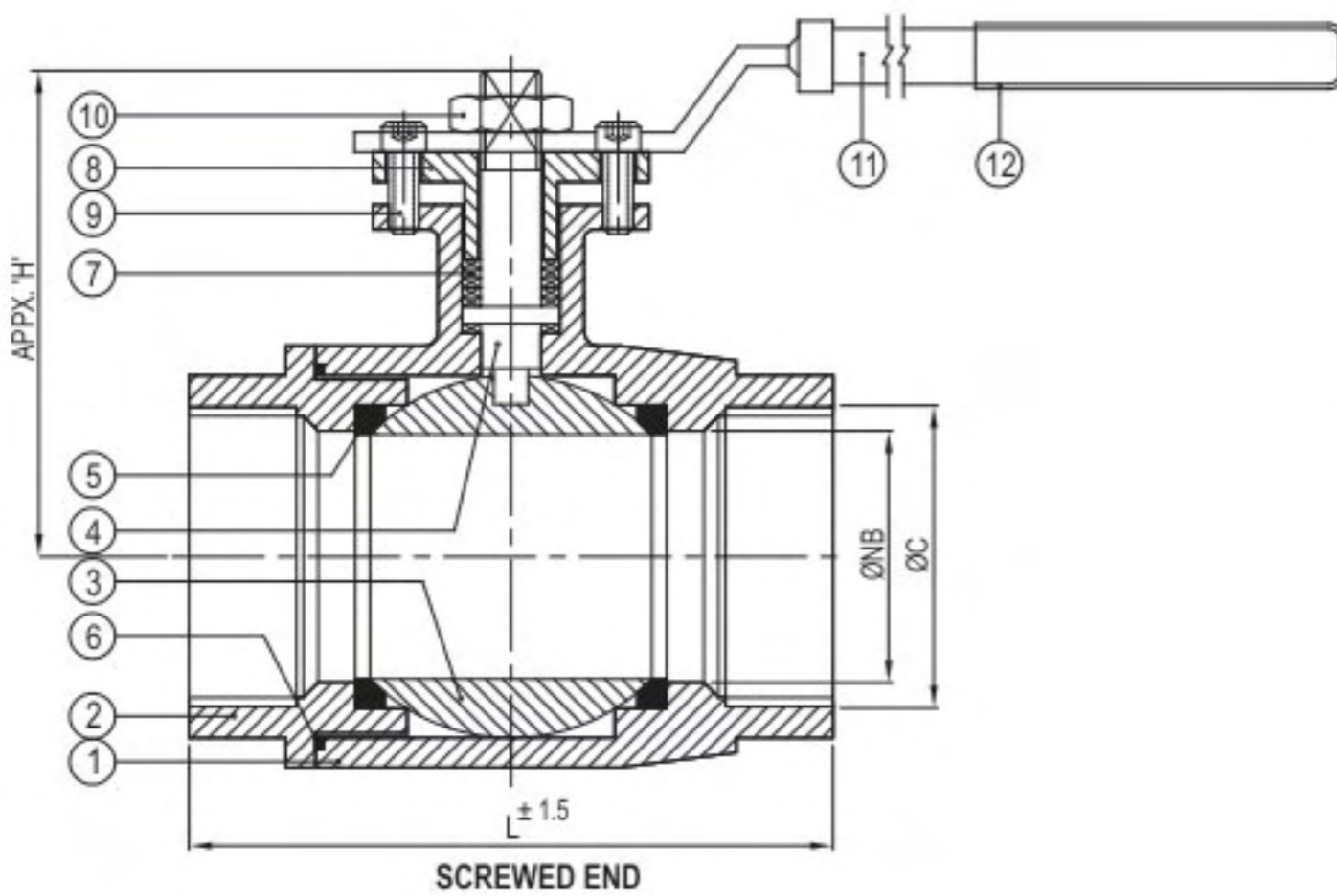
## INDEX

	DISCRIPTION	PAGE NO.
01	BALL VALVE 1PC S/E, S/W	04
02	BALL VALVE 1PC F/E	05
03	BALL VALVE 2PC F/E ( High Pressure )	06
04	BALL VALVE 2PC F/E	07
05	BALL VALVE 3PC F/E	08
06	BALL VALVE 3PC S/E, S/W	09
07	BALL TYPE FLUSH BOTTOM VALVE	10
08	'Y' TYPE FLUSH BOTTOM VALVE	11
09	PLUG VALVE	12
10	DIAPHRAGM VALVE	13
11	BUTTERFLY VALVE	14
12	OFFSET DESIGN BUTTERFLY VALVE	15
13	WAFER TYPE CHECK VALVE	16
14	KNIFE EDGE GATE VALVE	17
15	FORGED STEEL GATE VALVE	18
16	FORGED STEEL GLOBE VALVE	19
17	GATE VALVE F/E	20-21
18	GLOBE VALVE F/E	22-23
19	SWING CHECK VALVE F/E	24-25
20	SAFETY VALVE	26
21	PRESSURE REDUCING VALVE	27
22	DOUBLE WINDOW SIGHT GLASS	28
23	FULL VIEW SIGHT GLASS	28
24	'POT' TYPE STRAINER FLANGED END	29
25	'Y' TYPE STRAINER FLANGED END	30
26	STRAINERS & FILTERS ( Other Products)	31
27	PTFE LINED BALL VALVE	32
28	PTFE LINED BUTTERFLY VALVE	33
29	PTFE LINED FITTINGS & ACCESSORIES	34

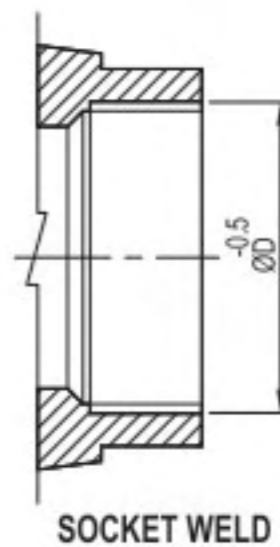


*Difference Is Quality!*

## BALL VALVE 1PC S/E, S/W



Part	Nomenclature	Material	Qty
1	BODY	ASTM A 216 Gr. WCB / ASTM A 216 Gr. Cf8 ASTM A 351 Gr. CF8M	1
2	CONNECTOR	ASTM A 216 Gr. WCB / ASTM A 351 Gr. Cf8 ASTM A 351 Gr. CF8M	1
3	BALL	ASTM A 351 Gr. CF8 / ASTM A 351 Gr. CF8M	1
4	STEM	AISI 304 / AISI 316	1
5	BALL SEALS	PTFE / GFT	2
6	BODY SEALS	PTFE / GFT	1
7	STEM PACKING	PTFE / GFT	5 min.
8	GLAND	ASTM A 216 Gr. WCB / ASTM A 351 Gr. Cf8 ASTM A 351 Gr. CF8M	1
9	GLAND BOLT	CARBON STEEL / STAINLESS STEEL	2
10	STEM NUT	CARBON STEEL / STAINLESS STEEL	1
11	LEVER	CARBON STEEL / STAINLESS STEEL	1
12	SLEEVE	PVC	1



### Technical Data

@ MANUFACTURING STD. : BS 5351

@ INSPECTION & TESTING STD. : BS 6755 (PART-I)

@ END CONNECTION : SCREWED ENDS TO BSP / BSPT / NPT

: SOCKET WELD ENDS TO ANSI B 16.11

TEST PRESSURE			
CLASS	HYDROSTATIC		PNEUMATIC
	BODY	SEAT & BACK SEAT	AIR
150#	30 Kg/cm <sup>2</sup>	21 Kg/cm <sup>2</sup>	7 Kg/cm <sup>2</sup>

### DIMENSION TABLE : ASA 150 #

SIZE	NB	L	ØC	ØD	'H'
15	12.5	65	1/2"	22.22	41
20	17	75	3/4"	27.56	49
25	25	85	1"	34.29	57.5
32	30	110	1 1/4"	43.05	70
40	38	114	1 1/2"	49.15	77
50	49	125	2"	61.62	85.5

SUBJECT TO TECHNICAL CHANGE WITHOUT NOTICE

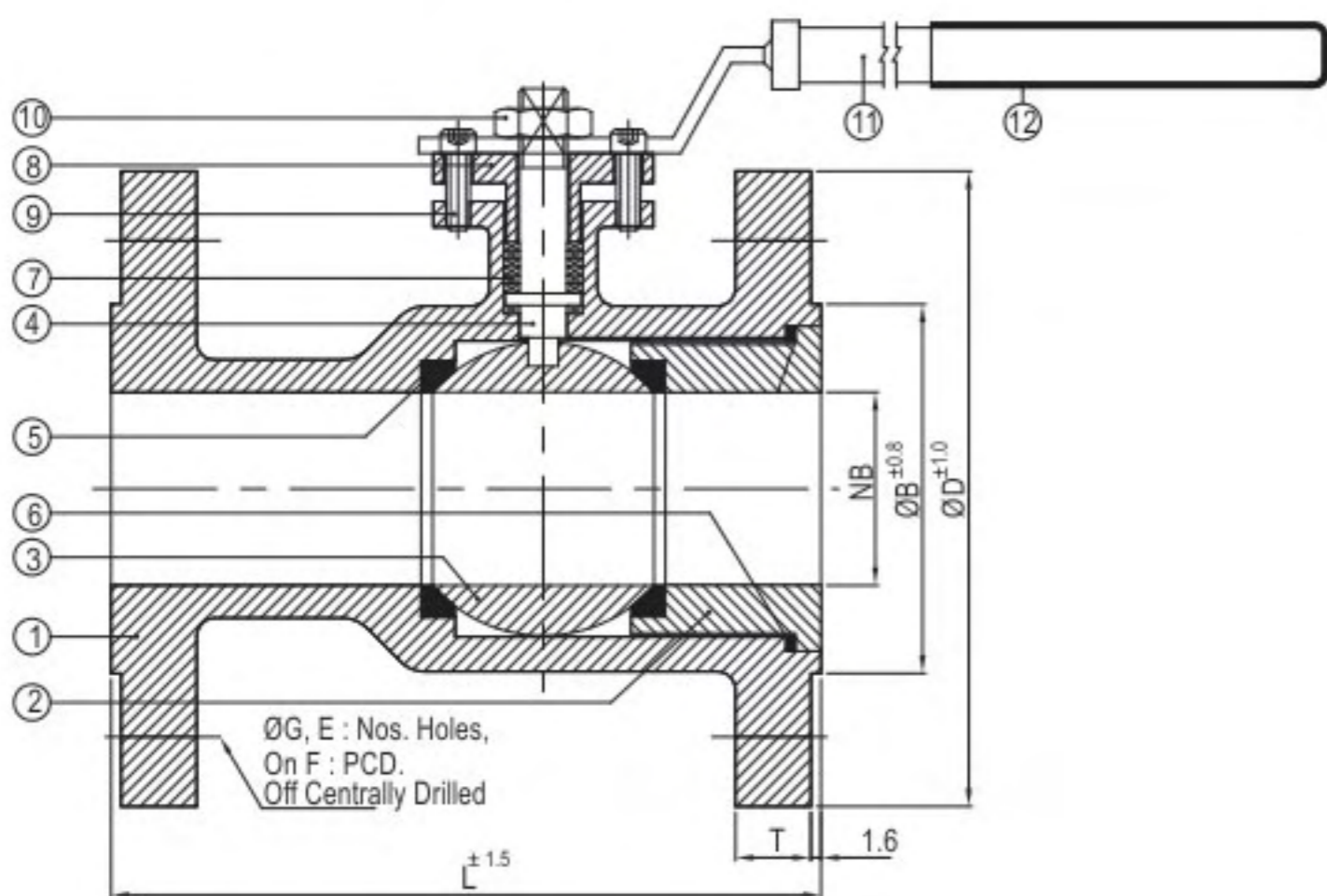
ALL DIMENSIONS ARE IN M.M.



*Difference Is Quality!*



## BALL VALVE 1PC F/E



Part	Nomenclature	Material	Qty
1	BODY	ASTM A 216 Gr. WCB / ASTM A 351 Gr. Cf8 ASTM A 351 Gr. CF8M / CAST IRON	1
2	CONNECTOR	ASTM A 216 Gr. WCB / ASTM A 351 Gr. Cf8 ASTM A 351 Gr. CF8M / CAST IRON	1
3	BALL	ASTM A 351 Gr. CF8 / CF8M	1
4	STEM	AISI 304 / AISI 316	1
5	BALL SEALS	PTFE / GFT	2
6	BODY SEALS	PTFE / GFT	1
7	STEM PACKING	PTFE / GFT	5 min.
8	GLAND	ASTM A 216 Gr. WCB / A 351 Gr. CF8-CF8M / CI	1
9	GLAND BOLT	CARBON STEEL / STAINLESS STEEL	2
10	STEM NUT	CARBON STEEL / STAINLESS STEEL	1
11	LEVER	CARBON STEEL / STAINLESS STEEL	1
12	SLEEVE	PVC	1

### Technical Data

@ MANUFACTURING STD. : BS 5351

@ INSPECTION & TESTING STD. : BS 6755 (PART-I)

@ END CONNECTION : FLANGED ENDS AS PER  
ASME B 16.5 RF 150# / 300#

@ FACE TO FACE : AS PER ASME B16.10

### DIMENSION TABLE : ASA 150 #

SIZE	NB	L	ØD	ØB	T	ØG	E	F:PCD
15	12.5	108	89	35	9.65	15.75	4	60.5
20	17	117.3	98.5	43	10.41	15.75	4	70
25	25	127	108	50.8	11.17	15.75	4	79
32	30	139.7	117.3	63.5	12.7	15.75	4	89
40	38	165	127	73	14.2	15.75	4	98.5
50	49	179	152.4	92	15.75	19	4	120.6
65	64	190.5	177.8	104.6	17.53	19	4	140
80	75	203	190.5	127	19	19	4	152.4
100	98	228.6	228.6	157.2	23.88	19	8	190.5
125	125	254	254	186	23.88	22.35	8	216
150	148	266.7	279.4	216	25.4	22.35	8	241
200	198	292	343	269.7	28.45	22.35	8	298.5
250	248	330	405.4	323.9	30.23	25.4	12	362
300	298	609	482.6	381	31.75	25.4	12	432

### DIMENSION TABLE : ASA 300 #

SIZE	NB	L	ØD	ØB	T	ØG	E	F:PCD
15	12.5	140	95	35	14.2	16	4	66.6
20	17	152	117.5	43	15.75	19	4	82.5
25	25	165	124	50.8	17.5	19	4	89
40	38	191	155.5	73.2	20.5	22.3	4	114
50	49	216	165	92	22.4	22.3	8	127
65	64	241	190	104.6	25.4	22.3	8	149
80	75	282	209	127	28.4	22.3	8	168
100	98	305	254	157.2	31.75	22.3	8	200
125	125	381	279	185.7	34.5	22.3	8	235
150	148	409	318	215.9	36.5	22.3	12	270
200	198	419	381	269.7	41	25.4	12	330

SUBJECT TO TECHNICAL CHANGE WITHOUT NOTICE

ALL DIMENSIONS ARE IN M.M.

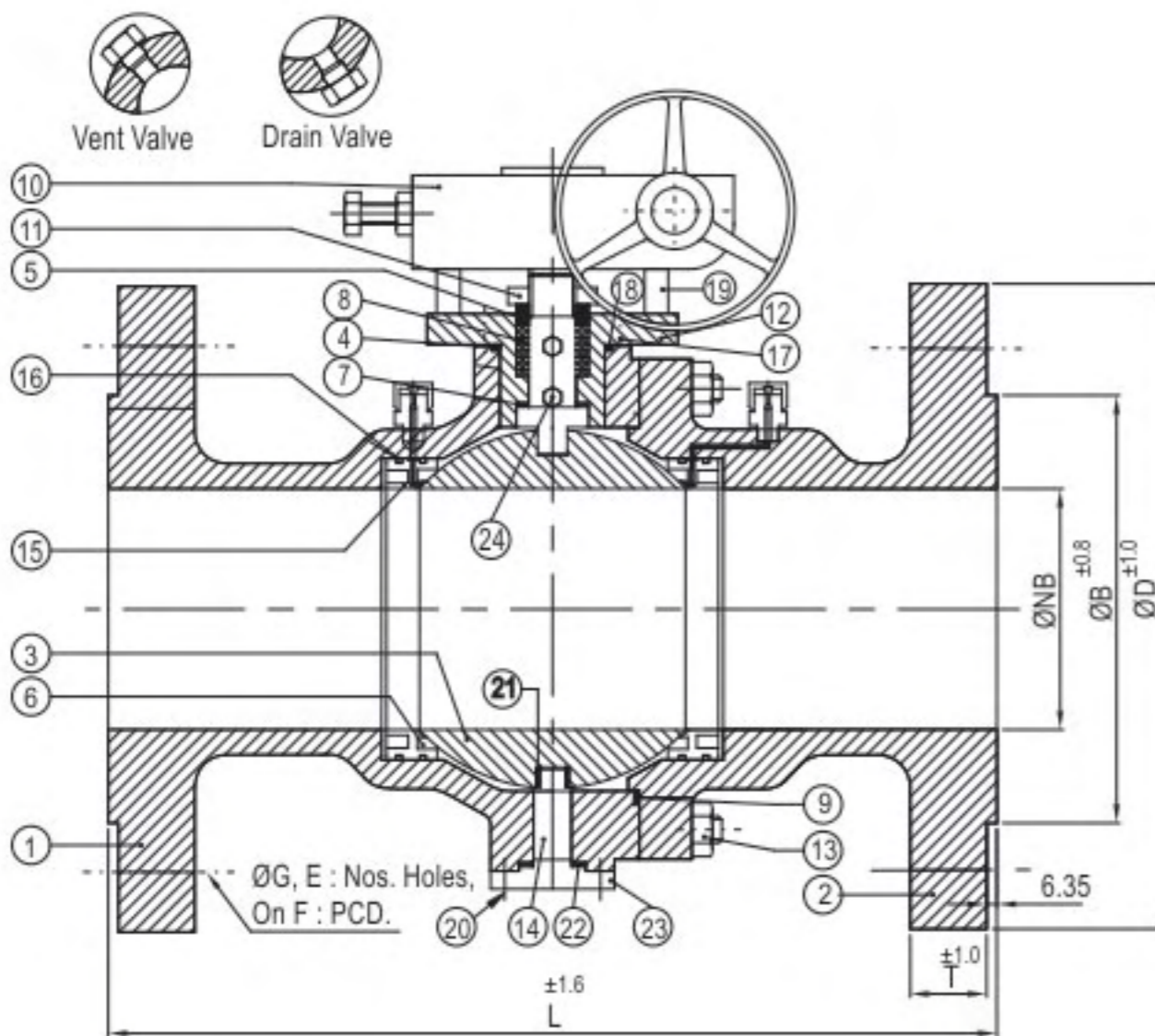
TEST PRESSURE			
CLASS	HYDROSTATIC		PNEUMATIC
	BODY	SEAT & BACK SEAT	AIR
150#	30 Kg/cm <sup>2</sup>	21 Kg/cm <sup>2</sup>	7 Kg/cm <sup>2</sup>
300#	78 Kg/cm <sup>2</sup>	57 Kg/cm <sup>2</sup>	7 Kg/cm <sup>2</sup>

**NOTE:** Also available in jacketed



*Difference Is Quality!*

## BALL VALVE 2PC F/E ( HIGH PRESSURE )



Part	Nomenclature	Material
1	BODY	ASTMA 216 Gr. WCB / ASTMA 351 Gr. CF8-CF8M
2	CONNECTOR	ASTMA 216 Gr. WCB / ASTMA 351 Gr. CF8-CF8M
3	BALL	ASTMA 351 Gr. CF8 / CF8M
4	STEM	AISI 304 / AISI 316
5	GLAND	AISI 304 / AISI 316
6	BALL SEALS	PTFE/GFT
7	STEM PACKING	PTFE/GFT
8	GLAND PACKINGS	PTFE/GFT
9	BODY SEALS	PTFE/GFT
10	GEAR BOX	STD
11	GLAND NUT	CARBON STEEL / STAINLESS STEEL
12	STEM HOUSING	ASTMA 216 Gr. WCB / ASTMA 351 Gr. CF8-CF8M
13	BODY STUD & NUT	ASTMA193 B7 / ASTM A194 2H
14	TRUNNION	AISI 304 / AISI 316
15	SEAT HOLDER & SPRING ASS.	SS 316/SS SPRINGS
16	'O' RING	VITON
17	STEM HOUSING BOLTS	ASTMA193 B7 / ASTM A194 2H
18	STEM HOUSING GASKET	SPIRAL WOUND SS 316 + GRAPHITE
19	GEAR BOX PILLER	MS
20	TRUNNION BOLTS	ASTMA193 B7 / ASTM A194 2H
21	TRUNNION BEARING BUSH	CFT
22	TRUNNION GASKET	SPIRAL WOUND SS 304 / SS316 + GRAPHITE
23	TRUNNION COCER	MS
24	VENT VALVE	ASSEMBLY

### Technical Data

- @ MANUFACTURING STD. : BS 5351
- @ INSPECTION & TESTING STD. : BS 6755 / API 598
- @ END CONNECTION : FLANGED ENDS AS PER ASME B 16.5 RF
- @ FACE TO FACE : AS PER ASME B16.10

TEST PRESSURE			
CLASS	HYDROSTATIC		PNEUMATIC
	BODY	SEAT & BACK SEAT	AIR
600#	153 Kg/cm <sup>2</sup>	113 Kg/cm <sup>2</sup>	7 Kg/cm <sup>2</sup>

**NOTE:** Also available in 1500 # and 2500 #

### DIMENSION TABLE : ASA 600 #

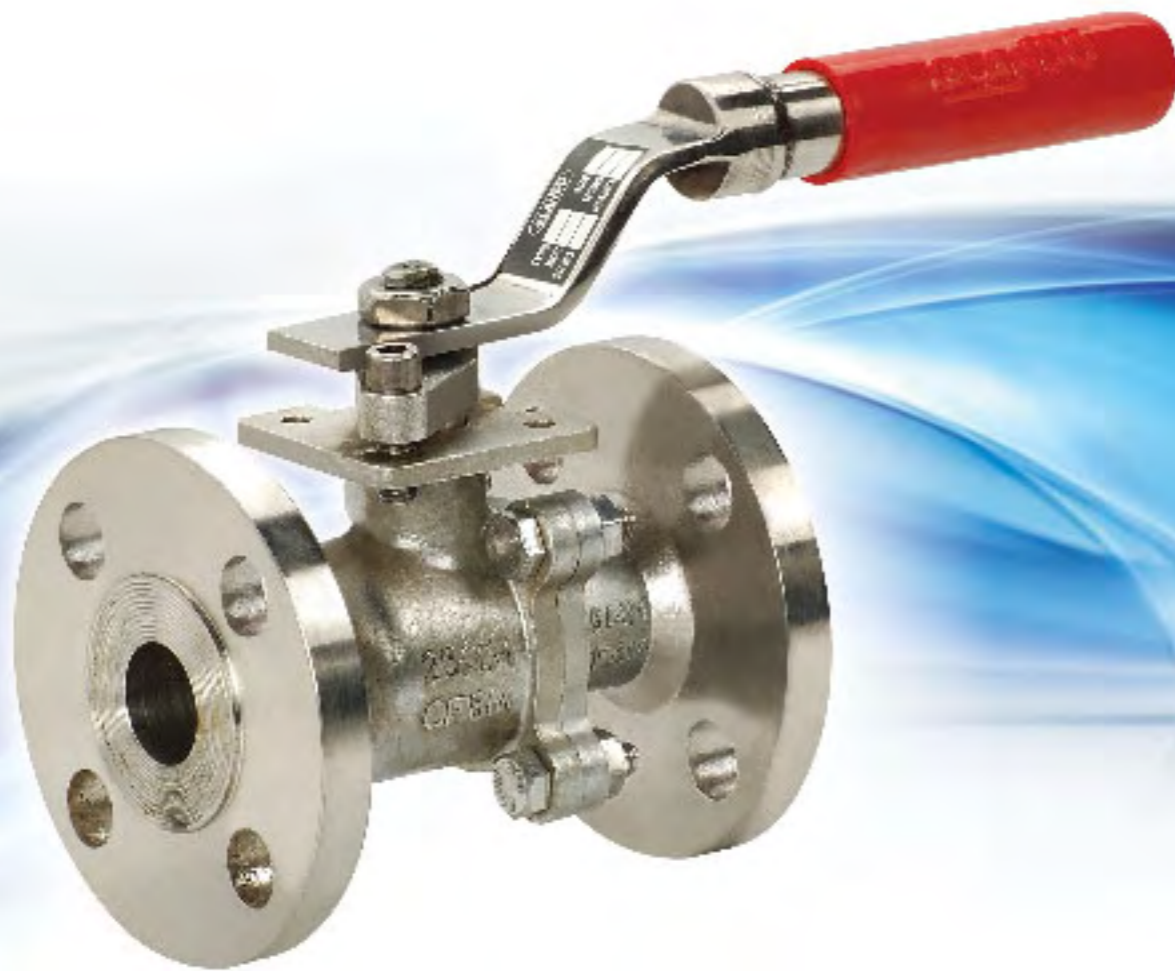
SIZE	NB	L	ØD	ØB	T	ØG	E	ØF
50	51	292	165	92	25.4	19	8	127
65	64	330	190.5	104.6	28.5	22.3	8	149.3
80	76	356	209.5	127	31.75	22.3	8	168
100	102	432	273	157.2	38	25.4	8	216
125	125	508	330	185.7	38	28.5	8	266.5
150	148	559	355.6	215.9	47.75	28.5	12	292
200	200	660	419	269.7	55.63	38	12	349

SUBJECT TO TECHNICAL CHANGE WITHOUT NOTICE

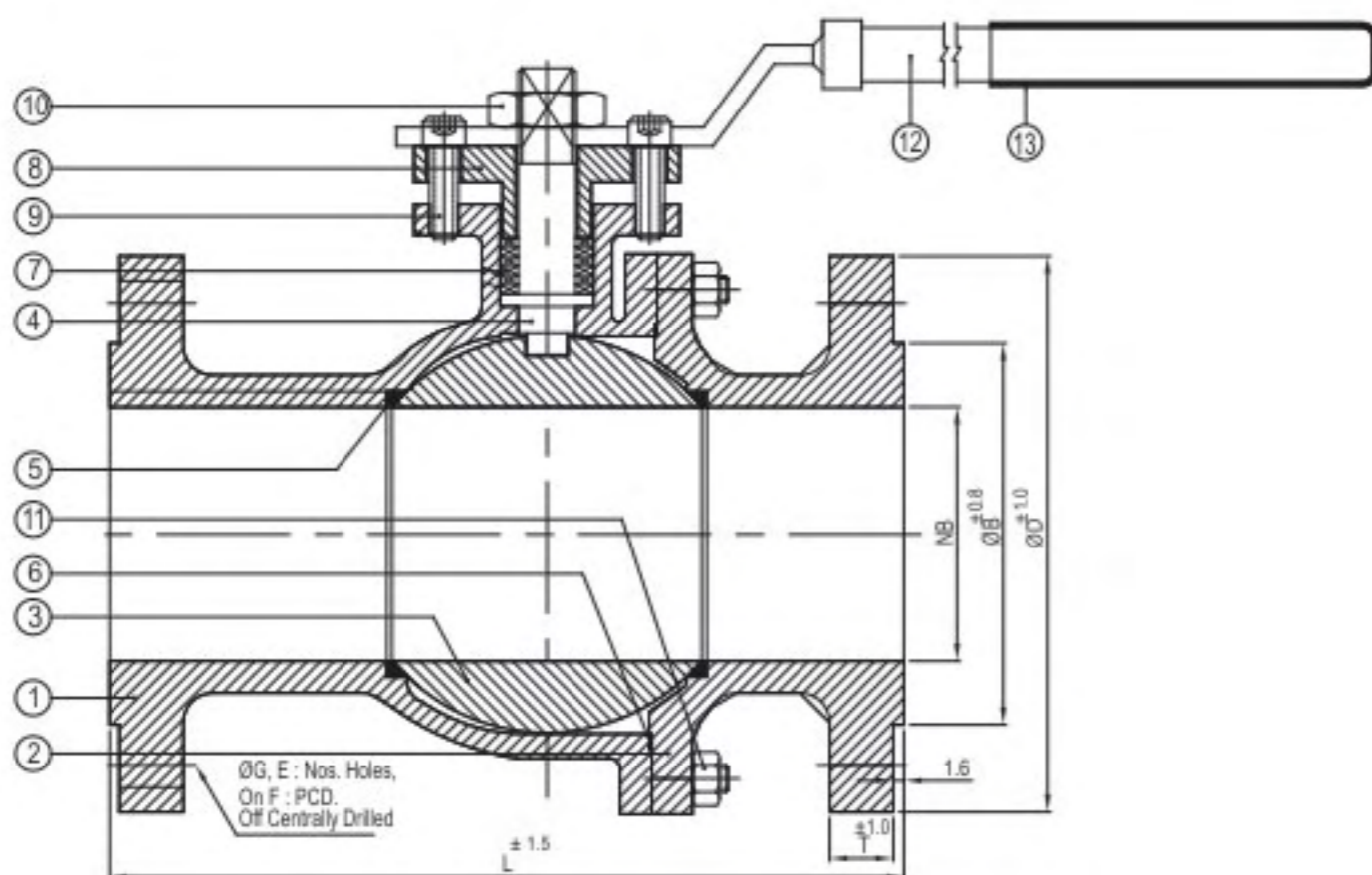
ALL DIMENSIONS ARE IN M.M.



*Difference Is Quality!*



## BALL VALVE 2PC F/E



Part	Nomenclature	Material	Qty
1	BODY	ASTM A 216 Gr. WCB / ASTM A 351 Gr. CF8 ASTM A 351 Gr. CF8M / CAST IRON	1
2	CONNECTOR	ASTM A 216 Gr. WCB / ASTM A 351 Gr. Cf8 ASTM A 351 Gr. CF8M / CAST IRON	1
3	BALL	ASTM A 351 Gr. CF8 / ASTM A 351 Gr. CF8M	1
4	STEM	AISI 304 / AISI 316	1
5	BALL SEALS	PTFE / GFT	2
6	BODY SEALS	PTFE / GFT	1
7	STEM PACKING	PTFE / GFT	5 min.
8	GLAND	ASTM A 216 Gr. WCB / A 351 Gr. CF8-CF8M / CI	1
9	GLAND BOLT	CARBON STEEL / STAINLESS STEEL	2
10	STEM NUT	CARBON STEEL / STAINLESS STEEL	1
11	BODY STUD & NUTS	CARBON STEEL / STAINLESS STEEL	4
12	LEVER	CARBON STEEL / STAINLESS STEEL	1
13	SLEEVE	PVC	1

### Technical Data

@ MANUFACTURING STD. : BS 5351

@ INSPECTION & TESTING STD. : BS 6755 (PART-I)

@ END CONNECTION : FLANGED ENDS AS PER  
ASME B 16.5 RF 150# / 300#

@ FACE TO FACE : AS PER ASME B16.10

### DIMENSION TABLE : ASA 150 #

SIZE	NB	L	ØD	ØB	T	ØG	E	F:PCD
15	12.5	108	89	35	9.65	15.75	4	60.5
20	17	117.3	98.5	43	10.41	15.75	4	70
25	25	127	108	50.8	11.17	15.75	4	79
32	30	139.7	117.3	63.5	12.7	15.75	4	89
40	38	165	127	73	14.2	15.75	4	98.5
50	49	179	152.4	92	15.75	19	4	120.6
65	64	190.5	177.8	104.6	17.53	19	4	140
80	75	203	190.5	127	19	19	4	152.4
100	98	228.6	228.6	157.2	23.88	19	8	190.5
125	125	254	254	186	23.88	22.35	8	216
150	148	266.7	279.4	216	25.4	22.35	8	241
200	198	292	343	269.7	28.45	22.35	8	298.5
250	248	330	405.4	323.9	30.23	25.4	12	362
300	298	609	482.6	381	31.75	25.4	12	432

TEST PRESSURE			
CLASS	HYDROSTATIC		PNEUMATIC
	BODY	SEAT & BACK SEAT	AIR
150#	30 Kg/cm <sup>2</sup>	21 Kg/cm <sup>2</sup>	7 Kg/cm <sup>2</sup>
300#	78 Kg/cm <sup>2</sup>	57 Kg/cm <sup>2</sup>	7 Kg/cm <sup>2</sup>

### DIMENSION TABLE : ASA 300 #

SIZE	NB	L	ØD	ØB	T	ØG	E	F:PCD
15	12.5	140	95	35	14.2	16	4	66.6
20	17	152	117.5	43	15.75	19	4	82.5
25	25	165	124	50.8	17.5	19	4	89
40	38	191	155.5	73.2	20.5	22.3	4	114
50	49	216	165	92	22.4	22.3	8	127
65	64	241	190	104.6	25.4	22.3	8	149
80	75	282	209	127	28.4	22.3	8	168
100	98	305	254	157.2	31.75	22.3	8	200
125	125	381	279	185.7	34.5	22.3	8	235
150	148	409	318	215.9	36.5	22.3	12	270
200	198	419	381	269.7	41	25.4	12	330

**NOTE:** Also available in jacketed

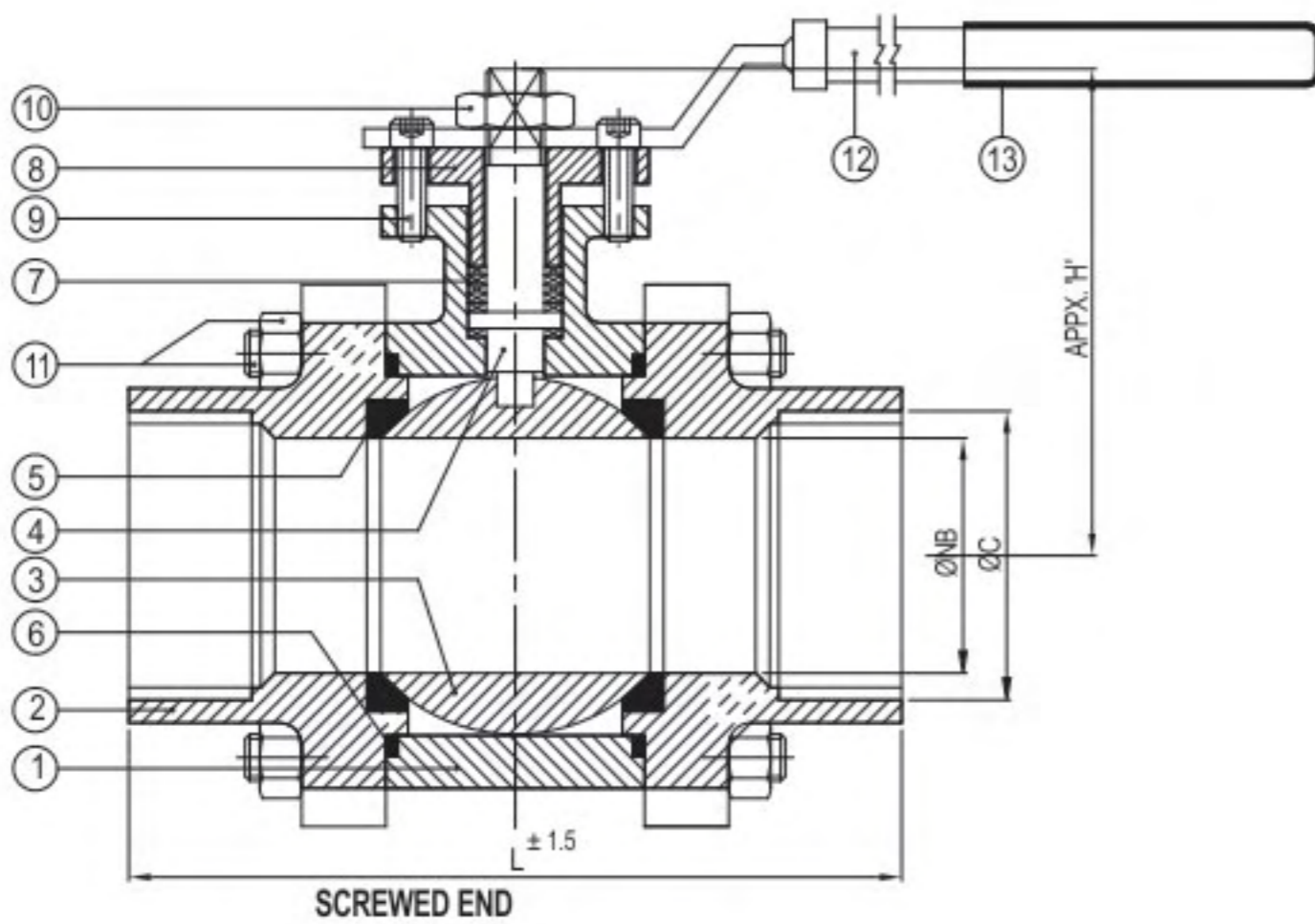
SUBJECT TO TECHNICAL CHANGE WITHOUT NOTICE

ALL DIMENSIONS ARE IN M.M.

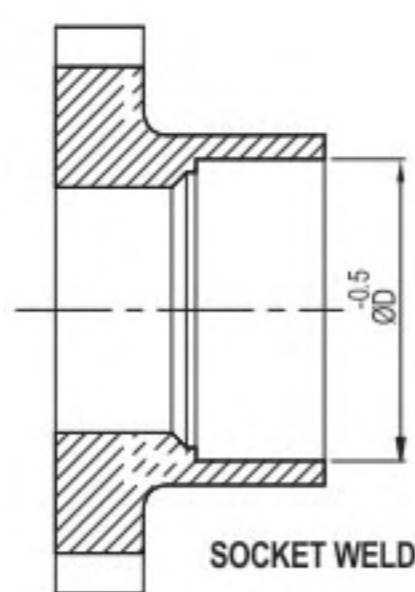


*Difference Is Quality!*

## BALL VALVE 3PC S/E, S/W



Part	Nomenclature	Material	Qty
1	BODY	ASTM A 216 Gr. WCB / ASTM A 351 Gr. Cf8 ASTM A 351 Gr. CF8M / A 105	1
2	CONNECTOR	ASTM A 216 Gr. WCB / ASTM A 351 Gr. Cf8 ASTM A 351 Gr. CF8M / A 105	2
3	BALL	ASTM A 351 Gr. CF8 / CF8M	1
4	STEM	AISI 304 / AISI 316	1
5	BALL SEALS	PTFE / GFT	2
6	BODY SEALS	PTFE / GFT	2
7	STEM PACKING	PTFE / GFT	5 min.
8	GLAND	ASTM A 216 Gr. WCB / ASTM A 351 Gr. Cf8 ASTM A 351 Gr. CF8M	1
9	GLAND BOLT	CARBON STEEL / STAINLESS STEEL	2
10	STEM NUT	CARBON STEEL / STAINLESS STEEL	1
11	BODY STUD & NUTS	CARBON STEEL / STAINLESS STEEL	4/8
12	LEVER	CARBON STEEL / STAINLESS STEEL	1
13	SLEEVE	PVC	1



### Technical Data

@ MANUFACTURING STD. : BS 5351

@ INSPECTION & TESTING STD. : BS 6755 (PART-I)

@ END CONNECTION : SCREWED ENDS TO BSP / BSPT / NPT

: SOCKET WELD ENDS TO ANSI B 16.11

TEST PRESSURE			
CLASS	HYDROSTATIC		PNEUMATIC
	BODY	SEAT & BACK SEAT	AIR
150#	30 Kg/cm <sup>2</sup>	21 Kg/cm <sup>2</sup>	7 Kg/cm <sup>2</sup>

**NOTE:** Also available in jacketed

### DIMENSION TABLE : ASA 150 #

SIZE	NB	L	ØC	ØD	'H'
15	12.5	65	1/2"	22.22	41
20	17	75	3/4"	27.56	49
25	25	85	1"	34.29	57.5
32	30	110	1 1/4"	43.05	70
40	38	114	1 1/2"	49.15	77
50	49	125	2"	61.62	85.5

SUBJECT TO TECHNICAL CHANGE WITHOUT NOTICE

ALL DIMENSIONS ARE IN M.M.

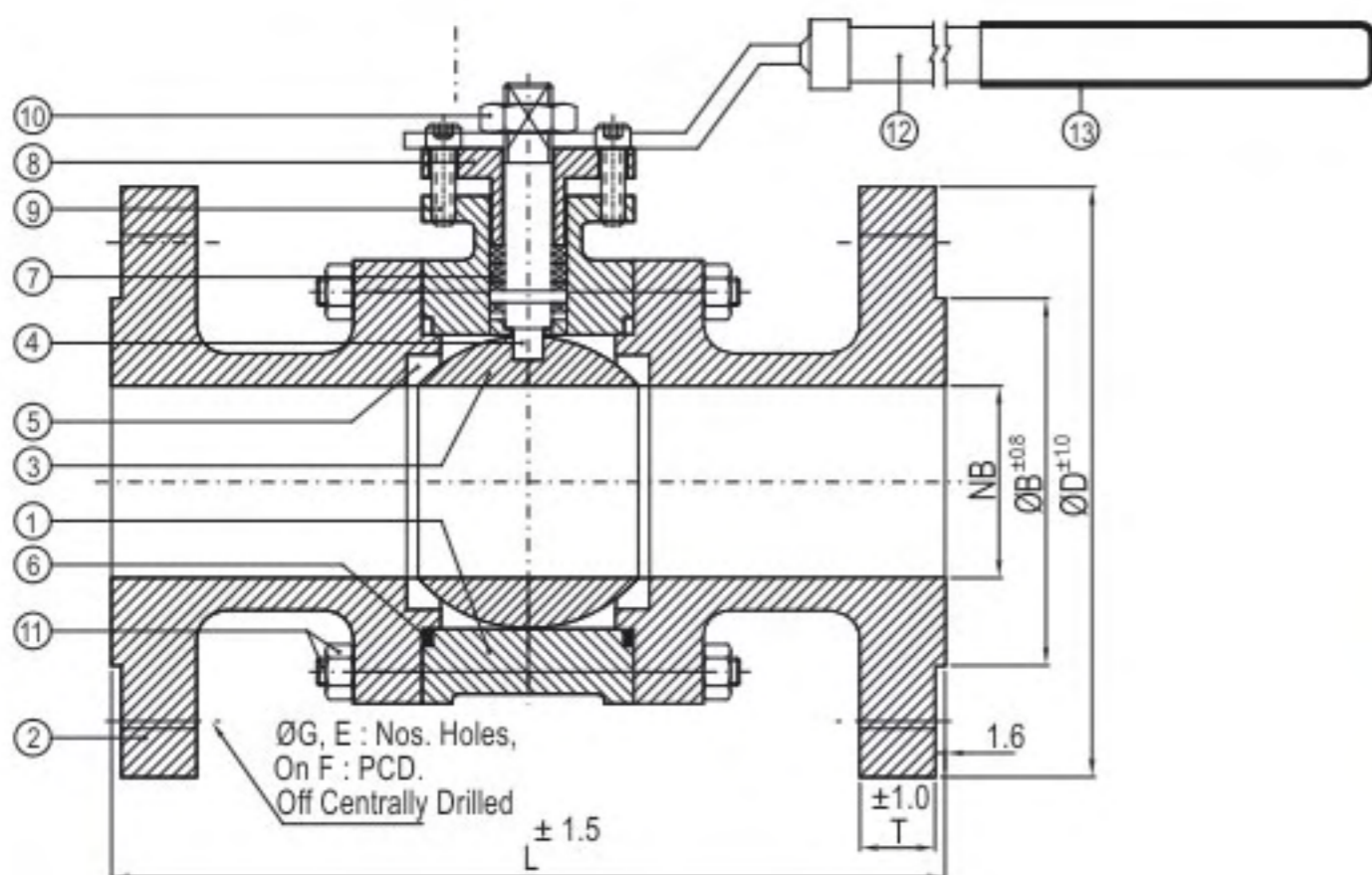




*Difference Is Quality!*



## BALL VALVE 3PC F/E



Part	Nomenclature	Material	Qty
1	BODY	ASTM A 216 Gr. WCB / ASTM A 351 Gr. Cf8 ASTM A 351 Gr. CF8M / CAST IRON	1
2	CONNECTOR	ASTM A 216 Gr. WCB / ASTM A 351 Gr. Cf8 ASTM A 351 Gr. CF8M / CAST IRON	2
3	BALL	ASTM A 351 Gr. CF8 / CF8M	1
4	STEM	AISI 304 / AISI 316	1
5	BALL SEALS	PTFE / GFT	2
6	BODY SEALS	PTFE / GFT	2
7	STEM PACKING	PTFE / GFT	5 min.
8	GLAND	ASTM A 216 Gr. WCB / A 351 Gr. CF8-CF8M / CI	1
9	GLAND BOLT	CARBON STEEL / STAINLESS STEEL	2
10	STEM NUT	CARBON STEEL / STAINLESS STEEL	1
11	BODY STUD & NUTS	CARBON STEEL / STAINLESS STEEL	4/8
12	LEVER	CARBON STEEL / STAINLESS STEEL	1
13	SLEEVE	PVC	1

### DIMENSION TABLE : ASA 150 #

SIZE	NB	L	ØD	ØB	T	ØG	E	F:PCD
15	12.5	108	89	35	9.65	15.75	4	60.5
20	17	117.3	98.5	43	10.41	15.75	4	70
25	25	127	108	50.8	11.17	15.75	4	79
32	30	139.7	117.3	63.5	12.7	15.75	4	89
40	38	165	127	73	14.2	15.75	4	98.5
50	49	179	152.4	92	15.75	19	4	120.6
65	64	190.5	177.8	104.6	17.53	19	4	140
80	75	203	190.5	127	19	19	4	152.4
100	98	228.6	228.6	157.2	23.88	19	8	190.5
125	125	254	254	186	23.88	22.35	8	216
150	148	266.7	279.4	216	25.4	22.35	8	241
200	198	292	343	269.7	28.45	22.35	8	298.5
250	248	330	405.4	323.9	30.23	25.4	12	362
300	298	609	482.6	381	31.75	25.4	12	432

### DIMENSION TABLE : ASA 300 #

SIZE	NB	L	ØD	ØB	T	ØG	E	F:PCD
15	12.5	140	95	35	14.2	16	4	66.6
20	17	152	117.5	43	15.75	19	4	82.5
25	25	165	124	50.8	17.5	19	4	89
40	38	191	155.5	73.2	20.5	22.3	4	114
50	49	216	165	92	22.4	22.3	8	127
65	64	241	190	104.6	25.4	22.3	8	149
80	75	282	209	127	28.4	22.3	8	168
100	98	305	254	157.2	31.75	22.3	8	200
125	125	381	279	185.7	34.5	22.3	8	235
150	148	409	318	215.9	36.5	22.3	12	270
200	198	419	381	269.7	41	25.4	12	330

SUBJECT TO TECHNICAL CHANGE WITHOUT NOTICE

ALL DIMENSIONS ARE IN M.M.

### Technical Data

@ MANUFACTURING STD. : BS 5351

@ INSPECTION & TESTING STD. : BS 6755 (PART-I)

@ END CONNECTION : FLANGED ENDS AS PER

ASME B 16.5 RF 150# / 300#

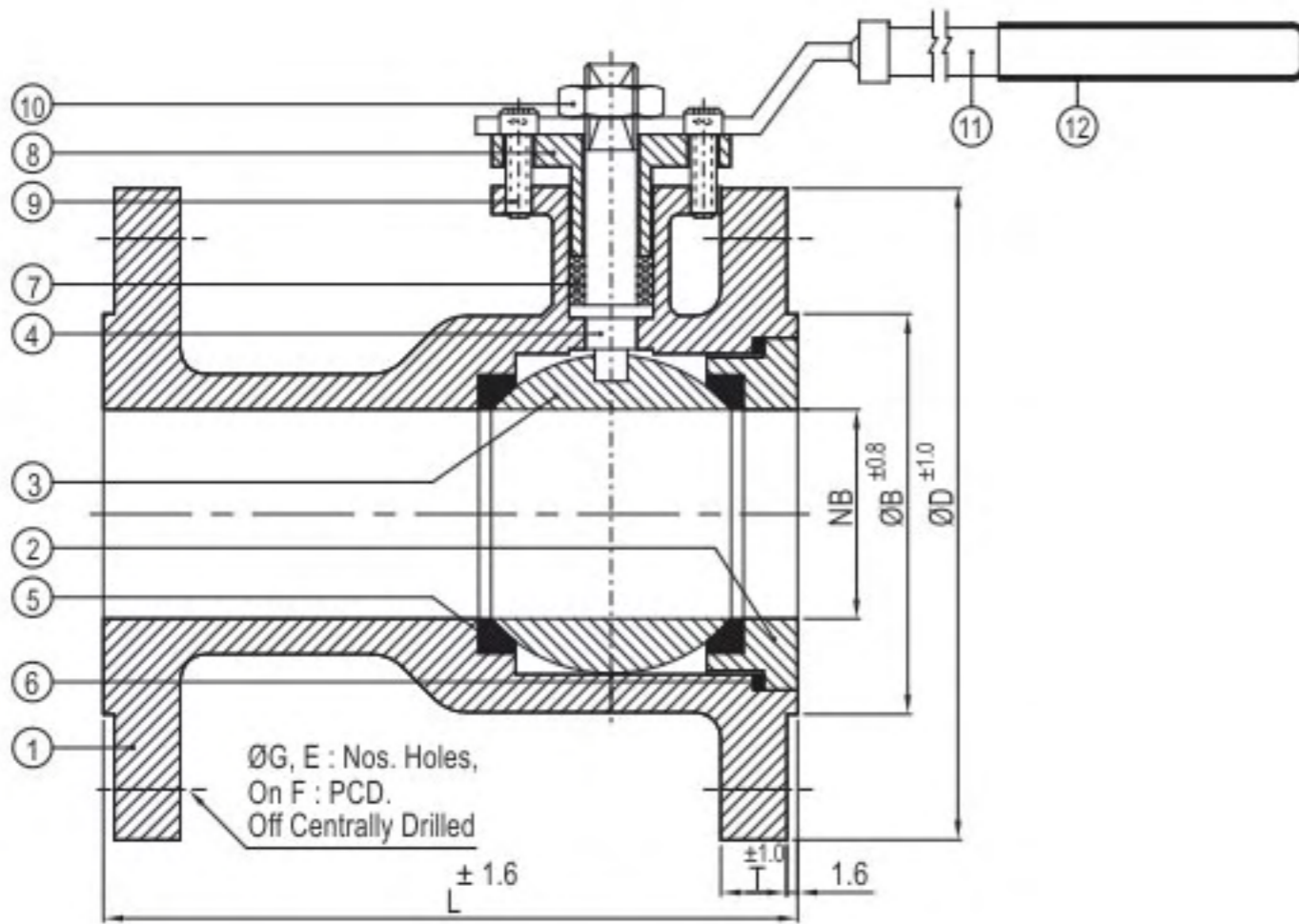
@ FACE TO FACE : AS PER ASME B16.10

TEST PRESSURE			
CLASS	HYDROSTATIC		PNEUMATIC
	BODY	SEAT & BACK SEAT	AIR
150#	30 Kg/cm <sup>2</sup>	21 Kg/cm <sup>2</sup>	7 Kg/cm <sup>2</sup>
300#	78 Kg/cm <sup>2</sup>	57 Kg/cm <sup>2</sup>	7 Kg/cm <sup>2</sup>



*Difference Is Quality!*

## BALL TYPE FLUSH BOTTOM VALVE F/E



Part	Nomenclature	Material	Qty
1	BODY	ASTM A 216 Gr. WCB / ASTM A 351 Gr. Cf8 ASTM A 351 Gr. CF8M	1
2	CONNECTOR	ASTM A 216 Gr. WCB / ASTM A 351 Gr. Cf8 ASTM A 351 Gr. CF8M	1
3	BALL	ASTM A 351 Gr. CF8 / CF8M	1
4	STEM	AISI 304 / AISI 316	1
5	BALL SEALS	PTFE/GFT	2
6	BODY SEALS	PTFE/GFT	1
7	STEM PACKING	PTFE/GFT	5 min.
8	GLAND	ASTM A 216 Gr. WCB / ASTM A 351 Gr. Cf8 ASTM A 351 Gr. CF8M	1
9	GLAND BOLT	CARBON STEEL / STAINLESS STEEL	2
10	STEM NUT	CARBON STEEL / STAINLESS STEEL	1
11	LEVER	CARBON STEEL / STAINLESS STEEL	1
12	SLEEVE	PVC	1

### Technical Data

@ MANUFACTURING STD. : BS 5351

@ INSPECTION & TESTING STD. : BS 6755 (PART-I)

@ END CONNECTION : FLANGED ENDS AS PER  
ASME B 16.5 RF 150#

@ FACE TO FACE : AS PER ASME B16.10

### DIMENSION TABLE : ASA 150 #

SIZE	NB	L	ØD	ØB	T	ØG	E	F:PCD
15	12.5	108	89	35	9.65	15.75	4	60.5
20	17	117.3	98.5	43	10.41	15.75	4	70
25	25	127	108	50.8	11.17	15.75	4	79
32	30	139.7	117.3	63.5	12.7	15.75	4	89
40	38	165	127	73	14.2	15.75	4	98.5
50	49	179	152.4	92	15.75	19	4	120.6
65	64	190.5	177.8	104.6	17.53	19	4	140
80	75	203	190.5	127	19	19	4	152.4
100	98	228.6	228.6	157.2	23.88	19	8	190.5
125	125	254	254	186	23.88	22.35	8	216
150	148	266.7	279.4	216	25.4	22.35	8	241
200	198	292	343	269.7	28.45	22.35	8	298.5
250	248	330	405.4	323.9	30.23	25.4	12	362
300	298	609	482.6	381	31.75	25.4	12	432

### DIMENSION TABLE : ASA 300 #

SIZE	NB	L	ØD	ØB	T	ØG	E	F:PCD
15	12.5	140	95	35	14.2	16	4	66.6
20	17	152	117.5	43	15.75	19	4	82.5
25	25	165	124	50.8	17.5	19	4	89
40	38	191	155.5	73.2	20.5	22.3	4	114
50	49	216	165	92	22.4	22.3	8	127
65	64	241	190	104.6	25.4	22.3	8	149
80	75	282	209	127	28.4	22.3	8	168
100	98	305	254	157.2	31.75	22.3	8	200
125	125	381	279	185.7	34.5	22.3	8	235
150	148	409	318	215.9	36.5	22.3	12	270
200	198	419	381	269.7	41	25.4	12	330

SUBJECT TO TECHNICAL CHANGE WITHOUT NOTICE

ALL DIMENSIONS ARE IN M.M.

TEST PRESSURE			
CLASS	HYDROSTATIC		PNEUMATIC
	BODY	SEAT & BACK SEAT	AIR
150#	30 Kg/cm <sup>2</sup>	21 Kg/cm <sup>2</sup>	7 Kg/cm <sup>2</sup>
300#	78 Kg/cm <sup>2</sup>	57 Kg/cm <sup>2</sup>	7 Kg/cm <sup>2</sup>

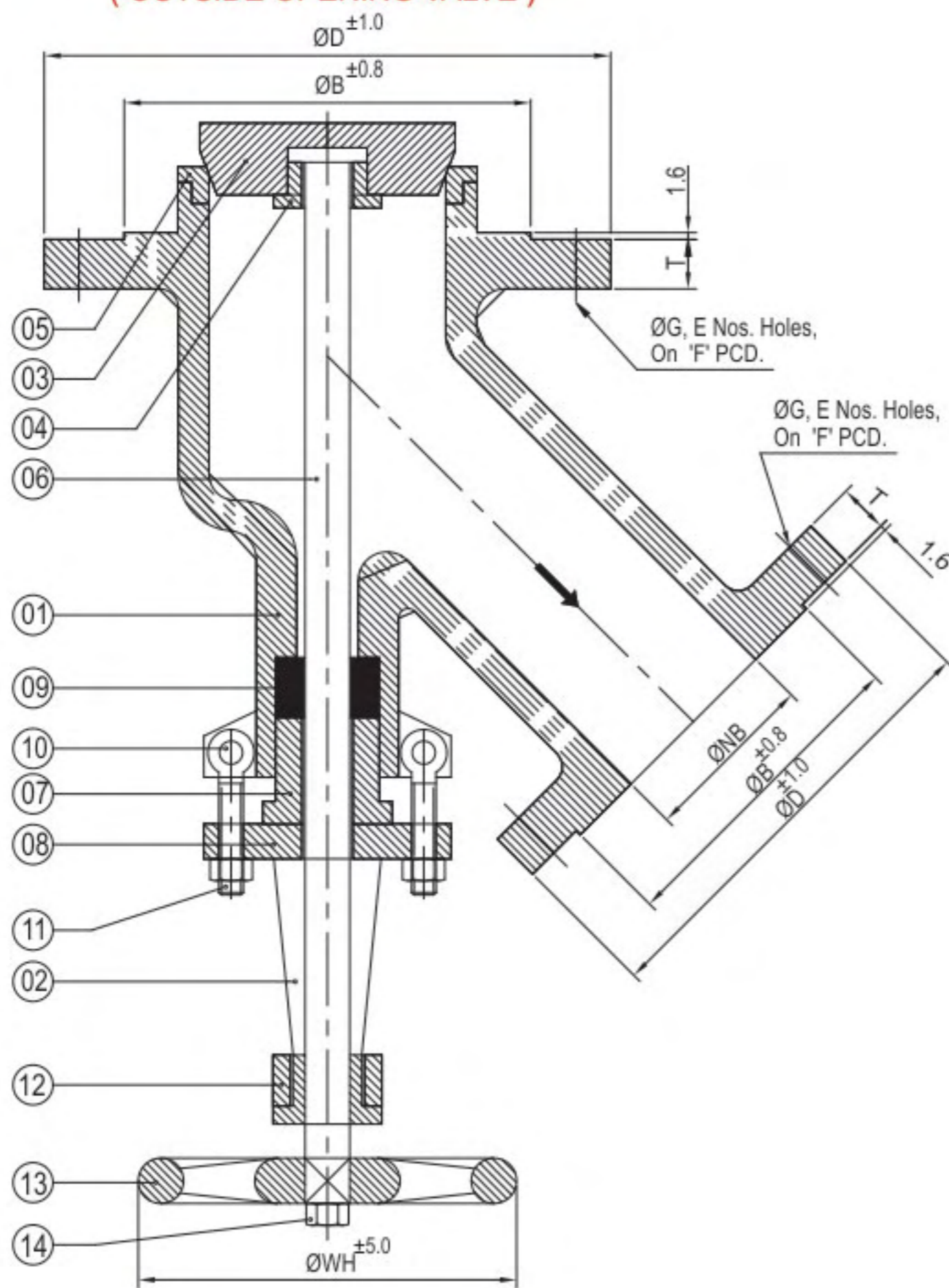
**NOTE:** Also available in jacketed



*Difference Is Quality!*

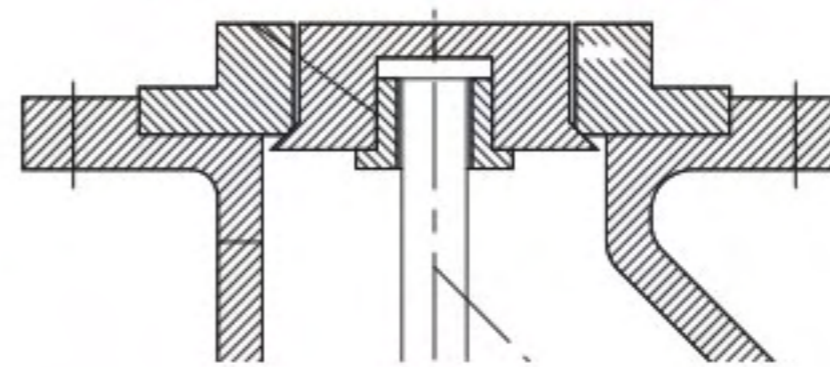
## 'Y' TYPE FLUSH BOTTOM VALVE

( OUTSIDE OPENING VALVE )



Part	Nomenclature	Material	Qty
1	BODY	ASTM A 216 Gr. WCB / ASTM A 351 Gr. Cf8 ASTM A 351 Gr. CF8M	1
2	YOKE	ASTM A 216 Gr. WCB / ASTM A 351 Gr. Cf8 ASTM A 351 Gr. CF8M	1
3	PLUG	AISI 304 / AISI 316	1
4	PLUG NUT	AISI 304 / AISI 316	1
5	SEAT RING	AISI 304 / AISI 316	1
6	STEM	AISI 304 / AISI 316	1
7	GLAND BUSH	AISI 304 / AISI 316	1
8	GLAND FLANGE	AISI 304 / AISI 316	1
9	GLAND PACKINGS	PTFE / GRAPHOILE	5 min.
10	CROSS BOLT & NUT	CARBON STEEL / STAINLESS STEEL	2
11	EYE BOLT & NUT	CARBON STEEL / STAINLESS STEEL	2
12	YOKE NUT	CARBON STEEL / STAINLESS STEEL	1
13	HAND WHEEL	CASR IRON / MALLEABLE IRON	1
14	HAND WHEEL NUT	CARBON STEEL / STAINLESS STEEL	1
15	NAME PLATE	ALLUMINIUM	1

( INSIDE OPENING VALVE )



### Technical Data

@ END CONNECTION :

FLANGED ENDS AS PER ASME B 16.5 RF 150#

TEST PRESSURE			
CLASS	HYDROSTATIC		PNEUMATIC
	BODY	SEAT & BACK SEAT	SEAT
150#	31 Kg/cm <sup>2</sup>	22 Kg/cm <sup>2</sup>	7 Kg/cm <sup>2</sup>

### DIMENSION TABLE : ASA 150 #

SIZE	NB	$\varnothing D$	$\varnothing B$	T	$\varnothing G$	E	F:PCD	$\varnothing W H$
15 x 15	12.5	89	35	9.65	15.75	4	60.5	125
20 x 20	18	98.5	43	10.41	15.75	4	70	125
25 x 25	25	108	50.8	11.17	15.75	4	79	150
32 x 32	30	117.3	63.5	12.7	15.75	4	89	200
40 x 40	38	127	73	14.2	15.75	4	98.5	200
50 x 50	49	152.4	92	15.75	19	4	120.6	240
65 x 65	64	177.8	104.6	17.53	19	4	140	250
80 x 80	75	190.5	127	19	19	4	152.4	250
100 x 100	98	228.6	157.2	23.88	19	8	190.5	490
150 x 150	148	279.4	216	25.4	22.35	8	241	490

SUBJECT TO TECHNICAL CHANGE WITHOUT NOTICE

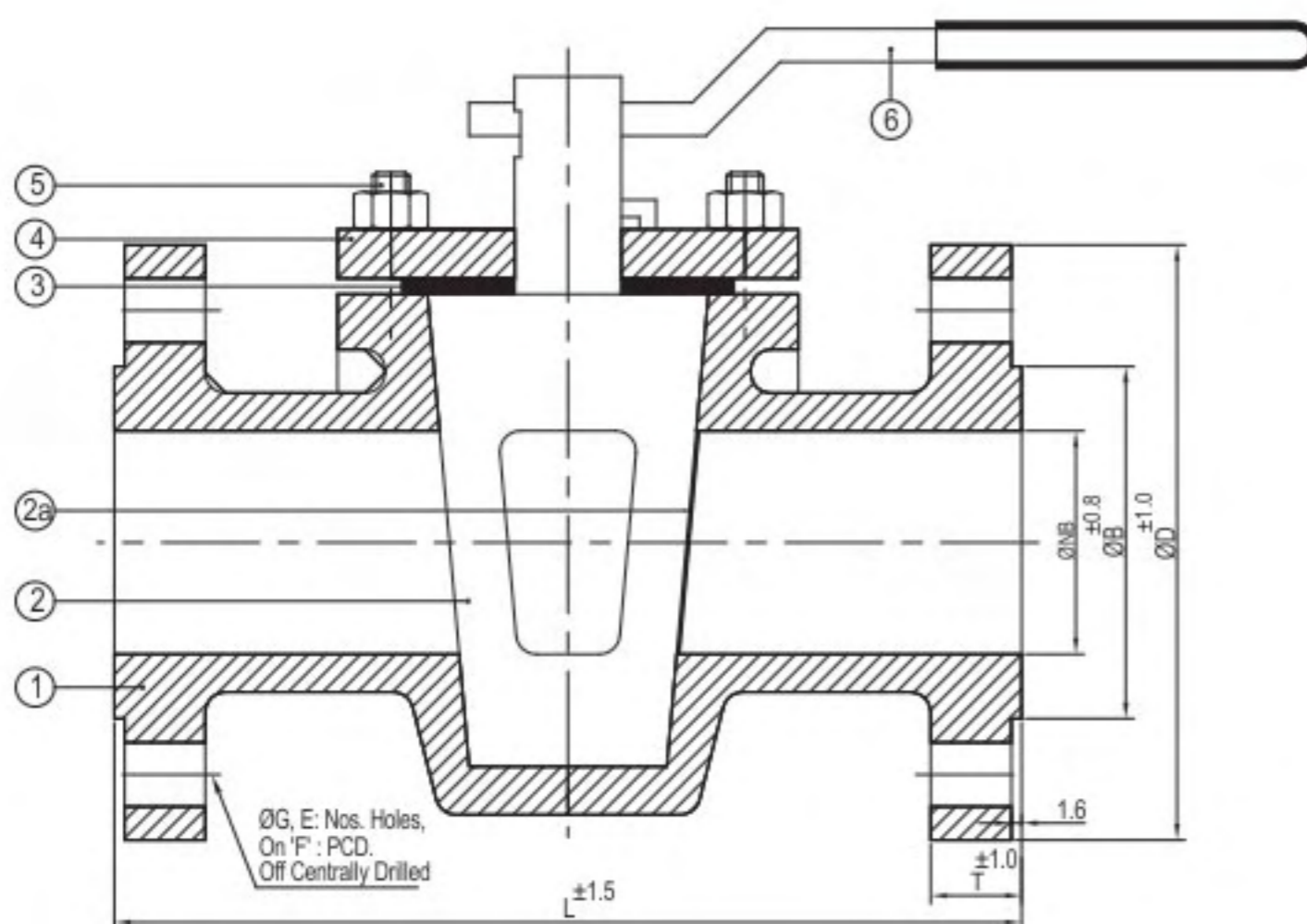
ALL DIMENSIONS ARE IN M.M.

**NOTE:** Also available in jacketed



*Difference Is Quality!*

## PLUG VALVE FLANGED END



Part	Nomenclature	Material	Qty
1	BODY	IS 210 FG Gr. 210 / ASTM A216 Gr. WCB ASTM A 351 Gr. CF8 / ASTM A 351 Gr. CF8M	1
2	PLUG	IS 210 FG Gr. 210 / ASTM A216 Gr. WCB ASTM A 351 Gr. CF8 / ASTM A 351 Gr. CF8M	1
2a	SLEEVE (OPTIONAL)	PTFE	1
3	DIAPHRAGM	SS 304 / SS 316	1
4	COVER	MS / SS 304 / SS 316	1
5	COVER STUD & NUTS	CARBON STEEL / STAINLESS STEEL	Req.
6	HANDLE	MS	1
7	NAME PLATE	ALUMINIUM	1

### Technical Data

- @ MANUFACTURING STD. : API 598 / BS 5352
- @ INSPECTION & TESTING STD. : API 598 / BS 6755 (PART-I)
- @ END CONNECTION : FLANGED ENDS AS PER  
ASME B 16.5 RF 150#
- @ FACE TO FACE : AS PER ASME B16.10

TEST PRESSURE			
CLASS	HYDROSTATIC		PNEUMATIC
	BODY	SEAT & BACK SEAT	SEAT
150#	30 Kg/cm <sup>2</sup>	22 Kg/cm <sup>2</sup>	7 Kg/cm <sup>2</sup>

### DIMENSION TABLE : ASA 150#

SIZE	NB	L	ØD	ØB	T	ØG	E	ØF
15	12	108	89	35	11	15.7	4	60
20	19	117	98	43	11	15.7	4	70
25	25	127	108	50.8	11.2	15.7	4	79.3
32	32	139.7	117.3	63.5	12.7	15.7	4	88.3
40	38	165	127	73.2	14.2	15.7	4	98.6
50	51	178	152.4	92	15.8	19	4	120.7
65	64	190.5	177.8	104.6	17.5	19	4	139.7
80	76	203	190.5	127	19	19	4	152.4
100	102	229	228.6	157.2	23.9	19	8	190.5
125	127	254	254	185.7	23.9	22.3	8	215.9
150	152	267	279.4	215.9	25.4	22.3	8	241.3
200	203	292	343	269.7	28.5	22.3	8	298.5
250	254	330	406.4	324	30.2	25.4	12	362
300	305	356	483	381	31.8	25.4	12	431.8
350	337	381	533	413	35.1	28.5	12	476.3
400	387	406.5	597	470	36.6	28.5	16	539.8

**NOTE:** Also available in jacketed

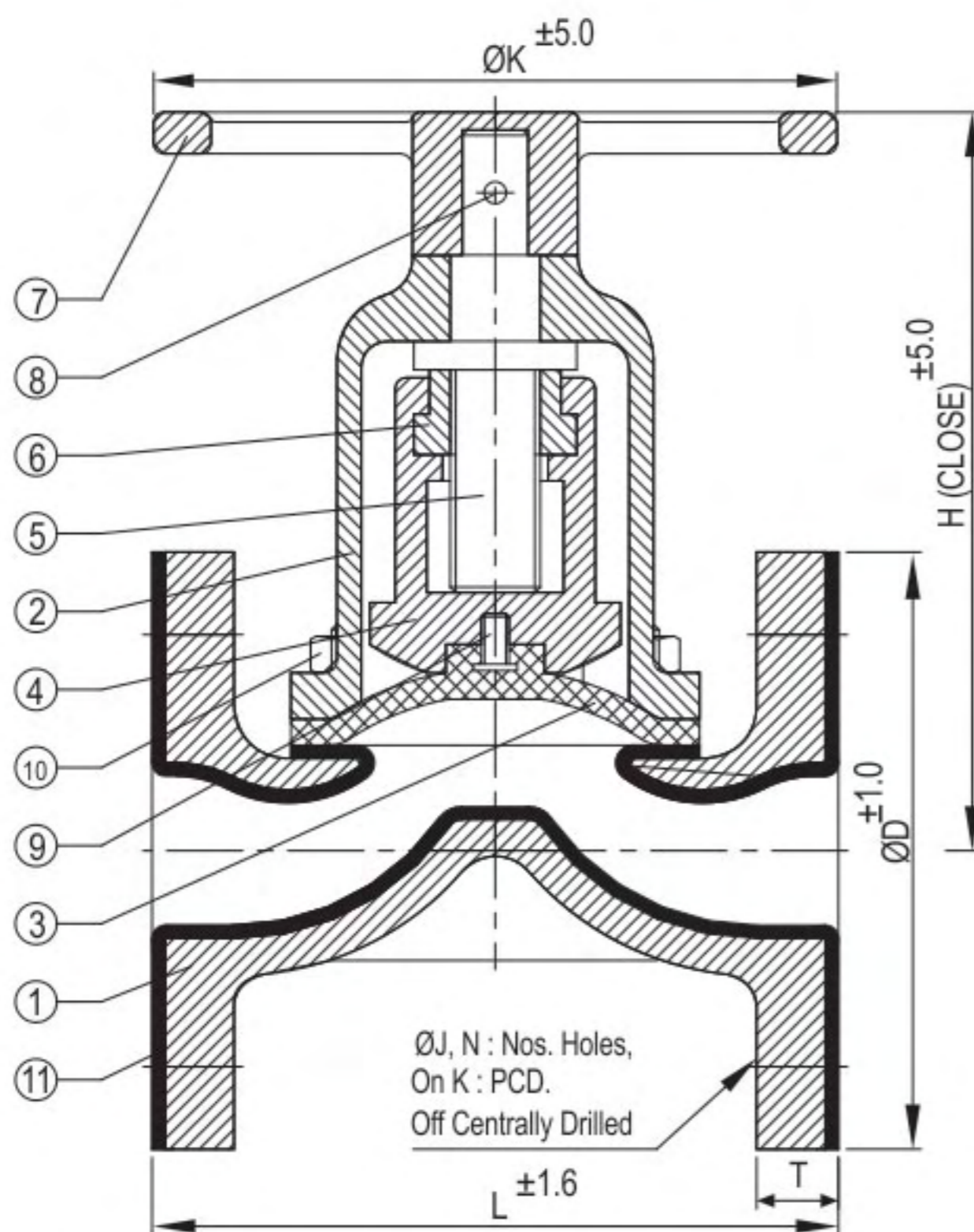
SUBJECT TO TECHNICAL CHANGE WITHOUT NOTICE

ALL DIMENSIONS ARE IN M.M.



*Difference Is Quality!*

## DIAPHRAGM VALVE F/E



Part	Nomenclature	Material	Qty
1	BODY	IS210 Gr. FG 260 (CI) / ASTM A 216 Gr. WCB ASTM A 351 Gr. CF8 / ASTM A 351 Gr. CF8M	1
2	BONNET	IS210 Gr. FG 260 (CI) / ASTM A 216 Gr. WCB ASTM A 351 Gr. CF8 / ASTM A 351 Gr. CF8M	1
3	DIAPHRAGM	N. RUBBER / BUTYL / HYPALON / VITON EPDM / LINATEX / NEOPRENE / NITRILE / PTFE	1
4	COMPRESSOR	IS210 Gr. FG 260 (CI) / ASTM A 216 Gr. WCB	1
5	STEM	MS / AISI 410 / AISI 304 / AISI 316	1
6	STEM NUT	SG IRON / SS 304 / SS 316	1
7	HAND WHEEL	MALLEABL IRON / CAST IRON	1
8	WHEEL PIN	STAINLESS STEEL / CARBON STEEL	1
9	DIAPHRAGM STUDS	STAINLESS STEEL / CARBON STEEL	1
10	BODY BOLTS & NUTS	STAINLESS STEEL / CARBON STEEL	Req.
11	LINING	HARD & SOFT RUBBER / BUTYL RUBBER EBONITE / NEOPRENE / PFA / ETFE / NITRILE	1
12	NAME PLATE	ALLUMINIUM	1

### Technical Data

@ MANUFACTURING STD. : BS 5156

@ INSPECTION & TESTING STD. : BS 6755 (PART-I)

@ END CONNECTION : FLANGED ENDS AS PER

ANSI B 16.5 RF ASA 150#

### DIMENSION TABLE

SIZE	L	T	ØD	H	ØK	ØJ	N	K:PCD
15	114	12.7	89	105	100	16	4	60.3
20	123	13.4	98	105	100	16	4	69.8
25	133	14	108	123	120	16	4	79.2
40	165	17	127	123	120	16	4	98.5
50	196	18.7	152	180	164	19	4	121
65	222	20.5	178	199	220	19	4	139.7
80	260	21	191	252	240	19	4	152.4
100	313	27	229	265	270	19	8	190.5
125	364	27	254	276	270	22	8	216
150	414	28.4	279	366	360	22	8	241.3
200	529	32	343	417	460	22	8	298.4
250	643	33	406	527	525	26	12	362
300	757	35	483	657	600	26	12	432

SUBJECT TO TECHNICAL CHANGE WITHOUT NOTICE

ALL DIMENSIONS ARE IN M.M.

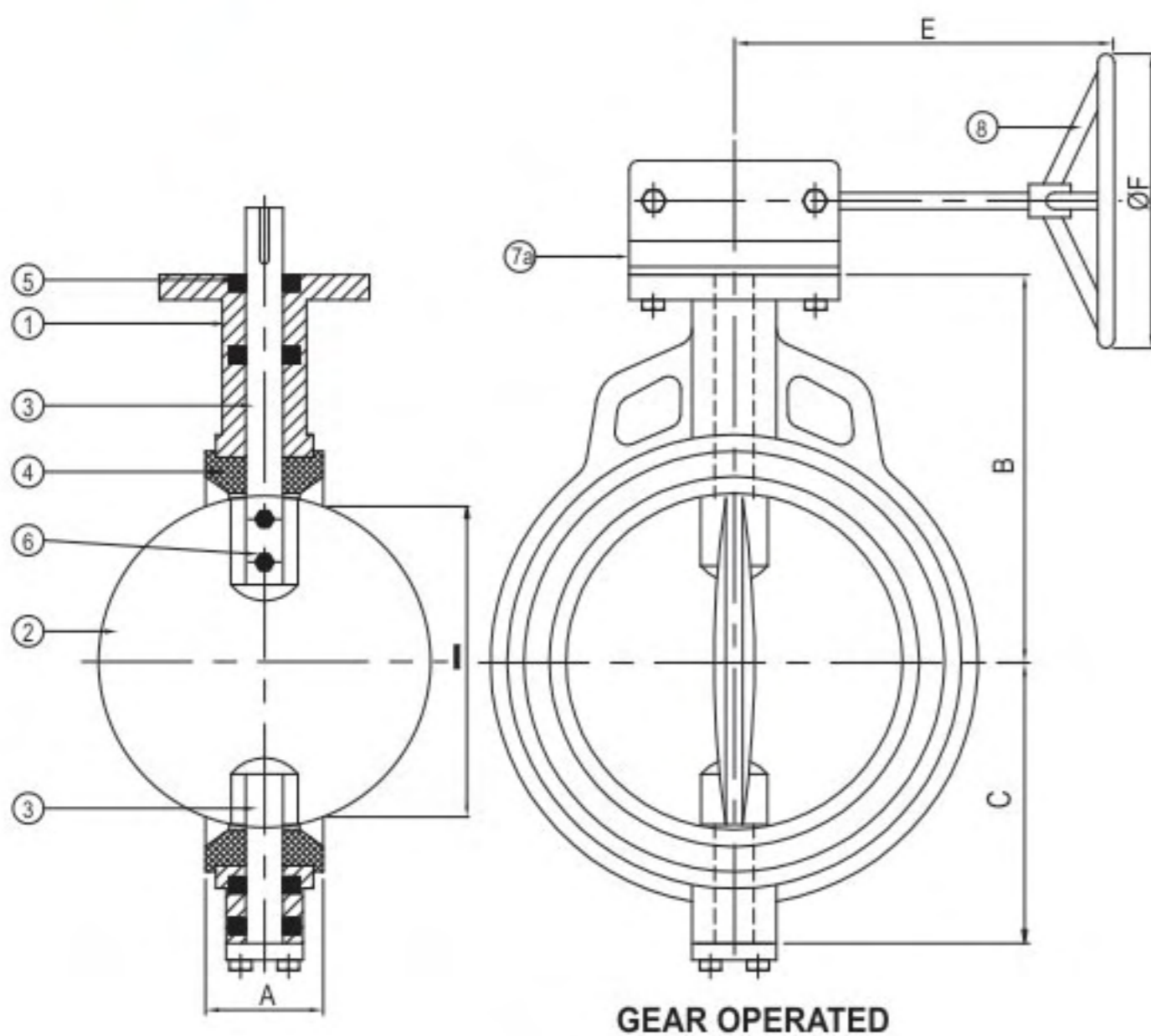
TEST PRESSURE			
CLASS	HYDROSTATIC		PNEUMATIC
	BODY	SEAT & BACK SEAT	SEAT
PN10	15 Kg/cm <sup>2</sup>	10 Kg/cm <sup>2</sup>	7 Kg/cm <sup>2</sup>



*Difference Is Quality!*



## WAFER TYPE BUTTERFLY VALVE ( LEVER OR GEAR OPERATED )



MATERIAL OF CONSTRUCTION			
Part	Nomenclature	Material	Qty
1	BODY	CAST IRON / S.G.IRON / ASTM A 216 Gr. WCB ASTMA 351 Gr.CF8 / ASTM A 351 Gr.CF8M	1
2	DISC	CAST IRON / S.G.IRON / ASTM A 216 Gr. WCB ASTMA 351 Gr.CF8 - CF8M, DISC ENCAPSULATION WITH VITON, NITRILE, EPDM, NEOPRENE & HYPALON AVAILABLE EPOXY COATED. NYLON-II COATED	1
3	SPINDLE	AISI 410 / AISI 304 / AISI 316	1
4	SEAT	NITRILE / EPDM / SILICON / VITON / HYPALON / PTFE	1
5	'O' RING	NITRILE / EPDM	1
6	PIN	AISI 304 / AISI 316	1
7	LEVER	M.S. FABRICATED	1
7a	GEAR BOX	CAST IRON	1
8	HAND WHEEL	MS FABRICATED	1
9	NAME PLATE	ALUMINIUM	1

### Technical Data

@ Manufacturing Std. : ISO 5752 / BS 5155 / API 609 / IS 13095

@ Inspection and Testing Std. :

BS 6755 (PART-I) / API 598 / EN 12266-1

@ End Connection : Wafer to suit ANSI B16.5 150# / ANSI 125#

BS 10 TAB D & E / IS 6392 NP 0.6 / 1.0 / 1.6

@ Face to Face : BS 5155 / ISO 5752 / API 609

@ Top Flange Drilling : ISO 5211

TEST PRESSURE		
CLASS	HYDROSTATIC	
	BODY	SEAT
PN 10	15 Kg/cm <sup>2</sup>	10 Kg/cm <sup>2</sup>
PN 16	22 Kg/cm <sup>2</sup>	16 Kg/cm <sup>2</sup>

### DIMENSION TABLE

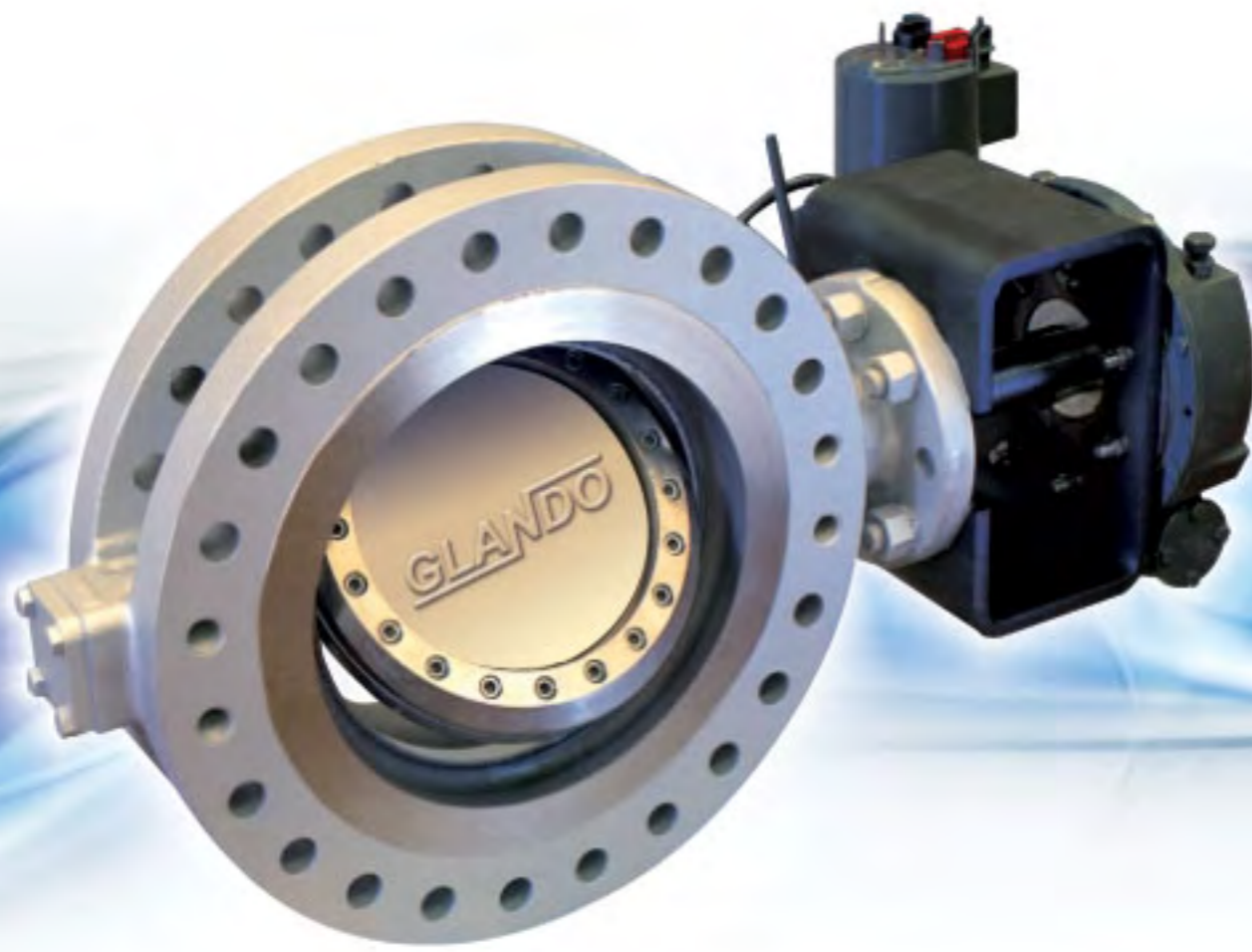
SIZE	A	B	C	ØD	ØE	F
40	36	92	52	20	65	180
50	43	103	70	28	65	180
65	46	110	76	48	65	180
80	46	118	85	67	65	215
100	52	148	102	88	65	215
125	56	164	115	114	65	215
150	56	176	130	142	65	265
200	60	230	156	194	75	325
250	68	266	196	243	75	385
300	78	300	230	292	75	385
350	92	320	272	330	300	350
400	102	385	302	375	305	500
450	114	405	325	425	305	500
500	127	465	405	470	370	500
600	154	540	460	570	370	600
700	229	565	515	660	381	600
800	241	588	650	760	396	600

SUBJECT TO TECHNICAL CHANGE WITHOUT NOTICE

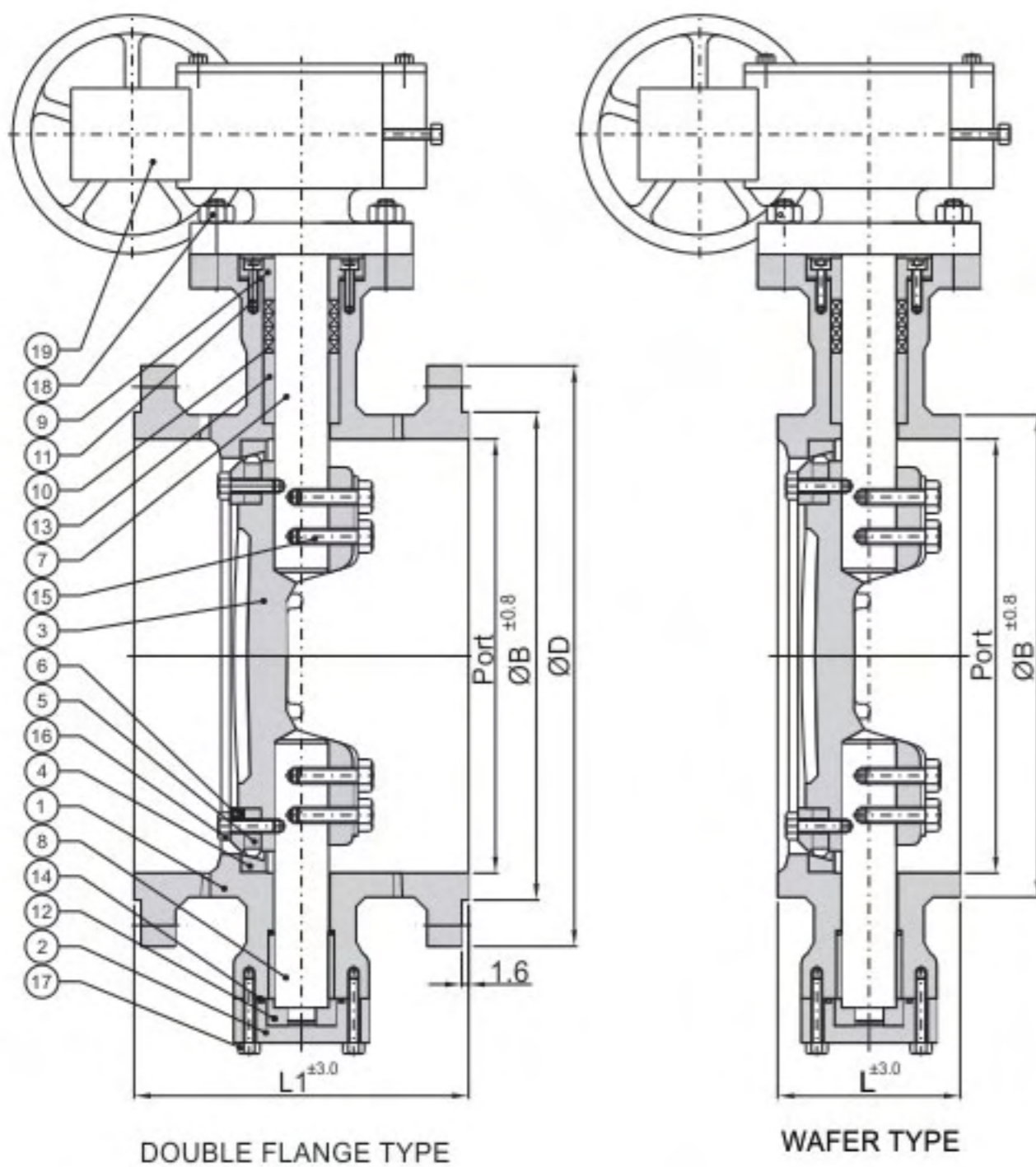
ALL DIMENSIONS ARE IN M.M.



*Difference Is Quality!*



## OFFSET DESIGN BUTTERFLY VALVE



Part	Nomenclature	Material	Qty
1	BODY	CI / CS / S.G.IRON / CF8 / CF8M	1
2	BOTTOM COVER	CI / CS / S.G.IRON / CF8 / CF8M	1
3	DISC	PTFE / NITRILE / EPDM / VITON / NEOPRENE	1
4	SEAT RING	SS 304 / SS 316	1
5	ELASTOMER RING	EPDM RUBBER	1
6	ELASTOMER RETAINING RING	SS 304 / SS 316	1
7	TOP SPINDLE	AISI 410 / AISI 304 / AISI 316	1
8	BOTTOM SPINDLE	AISI 410 / AISI 304 / AISI 316	1
9	GLAND	CARBON STEEL / STAINLESS STEEL	1
10	GLAND PACKINGS	METALLIC WIRE REINFORCED ASBESTOS / GRAPHOIL	Req.
11	GLAND CAP SCREWS	CARBON STEEL / STAINLESS STEEL	Req.
12	THRUST PAD	PTFE	1
13	BEARING BUSH	PTFE	2
14	'O' RINGS	EPDM RUBBER	2
15	FLAPPER CLAMPING BOLTS	SS 304 / SS 316	4
16	ELASTOMER CLAMPING BOLTS	SS 304 / SS 316	Req.
17	BOTTOM COVER BOLTS	CARBON STEEL / STAINLESS STEEL	Req.
18	GEAR BOX CLAMPING	CARBON STEEL	Req.
19	GEAR BOX	Std.	1

### Technical Data

@ Manufacturing Std. : BS 5155 / API 609 / EN 593 / IS 13095 / MSS Sp67

@ Inspection and Testing Std. : BS 6755 (PART-I) / API 598 / EN 12266-1

@ End Connection : Wafer to suit ANSI B16.5 150# / ANSI 125# / BS 10 TAB D & E / IS 6392 NP 0.6 / 1.0 / 1.6

@ Face to Face : BS 5155 / ISO 5752 / API 609 / AWWA C -504

@ Top Flange Drilling : ISO 5211

### DIMENSION TABLE

SIZE	L	L1	ØD	ØB	ØG	E	ØF
80	-	114	190.5	127	19	4	152.4
100	54	127	228.6	157.2	19	8	190.5
125	56	140	254	185.7	22.3	8	215.9
150	57	140	279.4	215.9	22.3	8	241.3
200	64	152	343	269.7	22.3	8	298.5
250	71	165	406.4	324	25.4	12	362
300	81	178	483	381	25.4	12	431.8
350	92	190	533	413	28.5	12	476.3
400	102	216	597	470	28.5	16	539.8
450	114	222	635	533	32	16	577.9
500	127	229	698	584	32	20	635
600	154	267	815	692	35	20	749.3
700	165	292	925	800	35	28	864
800	190	318	1060	914	41	28	978
900	205	330	1170	1022	41	32	1086
1000	300	410	1290	1124	41	36	1200

SUBJECT TO TECHNICAL CHANGE WITHOUT NOTICE

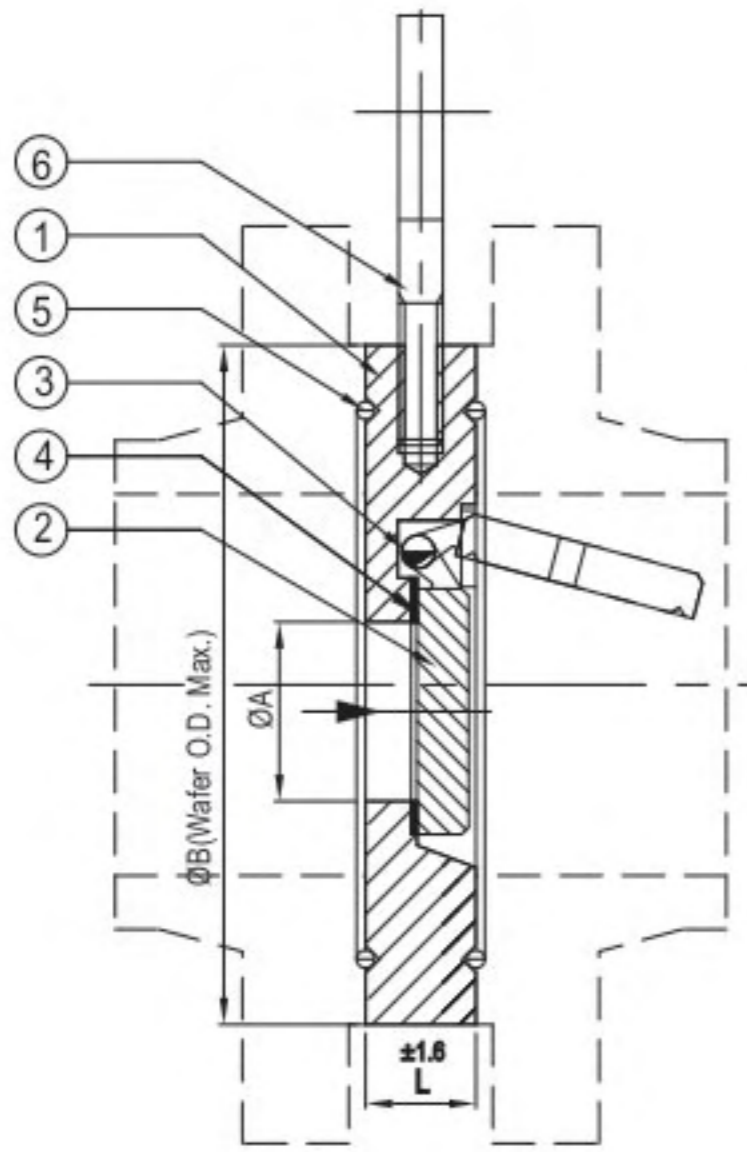
ALL DIMENSIONS ARE IN M.M.

TEST PRESSURE		
CLASS	HYDROSTATIC	
	BODY	SEAT
PN 10	15 Kg/cm <sup>2</sup>	10 Kg/cm <sup>2</sup>
PN 16	22 Kg/cm <sup>2</sup>	16 Kg/cm <sup>2</sup>



*Difference Is Quality!*

## WAFER TYPE CHECK VALVE



Part	Nomenclature	Material	Qty
1	BODY	IS 210 FG. 200 / ASTM A 216 Gr. WCB ASTM A 351 CF8 / ASTM A 351 Gr. CF8M	1
2	CLAPPER	IS 210 FG. 200 / ASTM A 216 Gr. WCB ASTM A 351 CF8 / ASTM A 351 Gr. CF8M	1
3	CLAPPER PIN	AISI 410 / AISI 304 / AISI 316	1
4	CLAPPER SEAL	NIRTI / EPDM / VITON / SILICON / PTFE	1
5	BODY SEAL	NIRTI / EPDM / VITON / SILICON / PTFE	2
6	LIFTING EYE	M.S. / STAINLESS STEEL	1
7	NAME PLATE	ALLUMINIUM	1

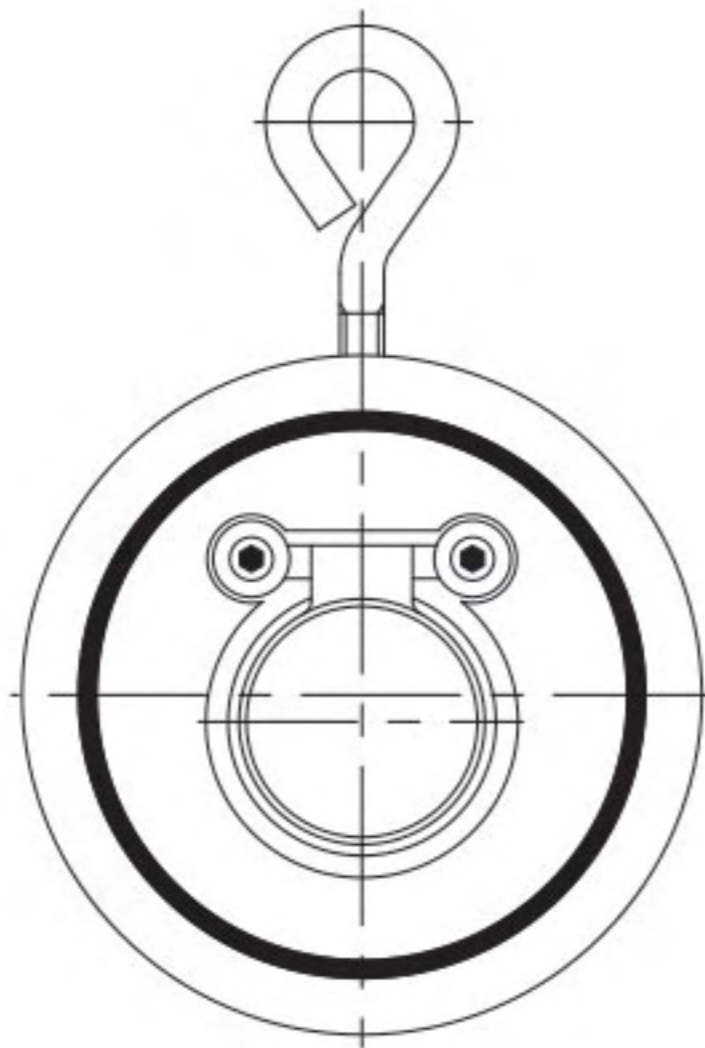
### Technical Data

@ Manufacturing Std. : API 6D / API 600

@ INSPECTION & TESTING STD. : API 6D/API 598

@ END CONNECTION : Wafer to suit ANSI B16.5 150# /

DIN 2542(PN-10)/DIN 2543(PN-16)/BS10 Table-E



### DIMENSION TABLE

SIZE	$\phi A$	$\phi B$	L
50	30	109	19
65	40	129	19
80	52	144	19
100	71	164	19
125	93	194	19
150	114	220	19
200	157	275	28
250	195	330	28
300	230	380	38
350	270	440	41
400	310	491	51
450	360	541	51
500	406	596	60
600	490	698	70
1000	910	1200	180

SUBJECT TO TECHNICAL CHANGE WITHOUT NOTICE

ALL DIMENSIONS ARE IN M.M.

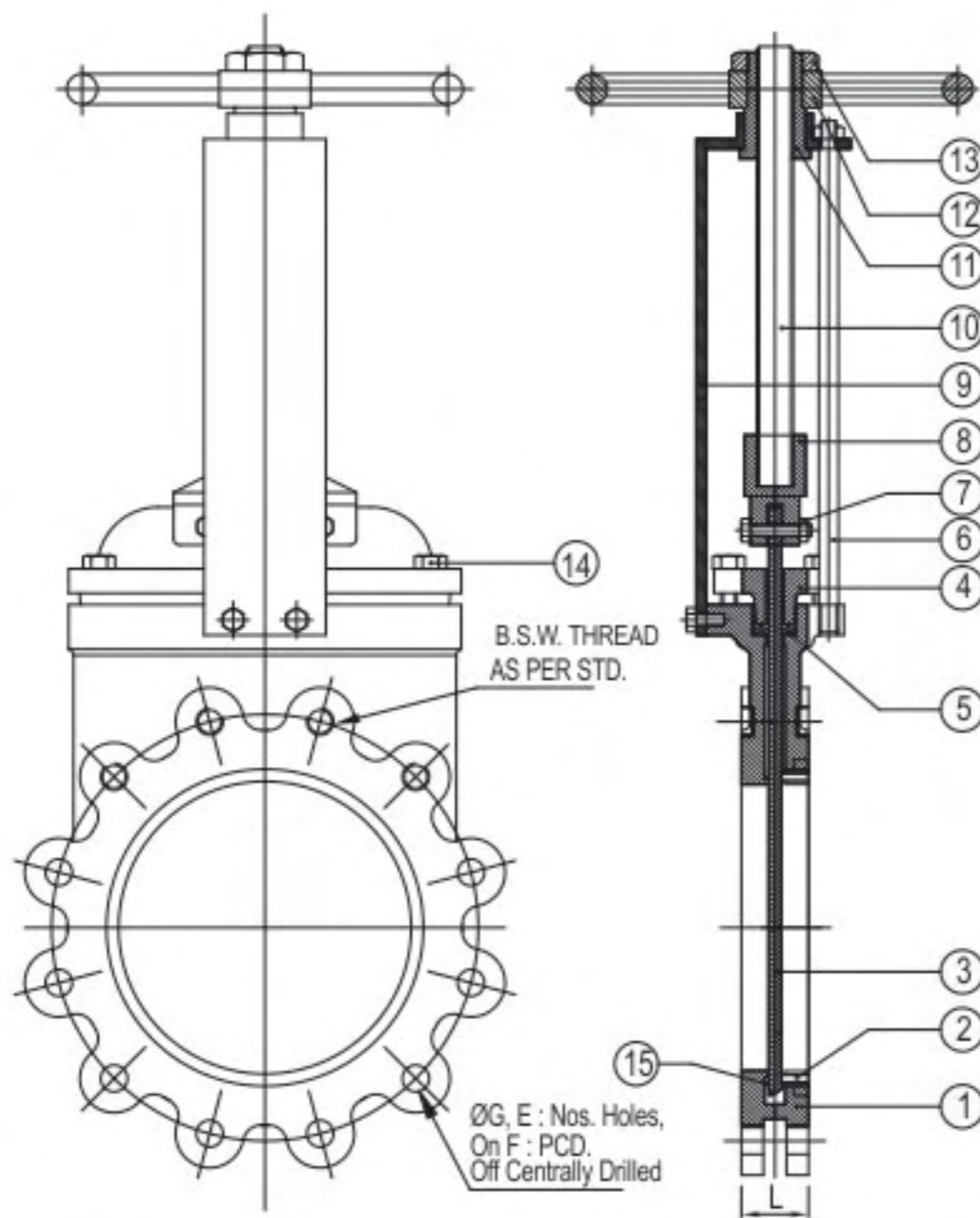
TEST PRESSURE		
CLASS	HYDROSTATIC	
	BODY	SEAT
PN 10	10 Kg/cm <sup>2</sup>	6 Kg/cm <sup>2</sup>





*Difference Is Quality!*

## KNIFE EDGE GATE VALVE



Part	Nomenclature	Material	Qty
1	BODY	CI / ASTM A 216 Gr.WCB / A351 Gr.CF8 / CF8M	1
2	SEAT HOLDER PIN	MS / SS 304 / SS 316	1
3	GATE	MS / SS 304 / SS 316	1
4	GLAND	CI / ASTM A 216 Gr.WCB / A351 Gr.CF8 / CF8M	1
5	GLAND PACKINGS	PTFE	REQ.
6	YOKE TIROAD	M.S. FABRICATED	1
7	HOLDER PIN	MS / AISI 304 / AISI 316	1
8	JOINT HOLDER	CARBON STEEL / STAINLESS STEEL	1
9	YOKE BRACKET	CARBON STEEL / STAINLESS STEEL	1
10	STEM / SPINDLE	AISI 410 / AISI 304 / AISI 316	1
11	YOKE SLEEVE	CARBON STEEL / STAINLESS STEEL	1
12	WHEEL	CAST IRON / MALEABLE IRON	1
13	WHEEL NUT	CARBON STEEL / STAINLESS STEEL	1
14	GLAND BOLT	CARBON STEEL / STAINLESS STEEL	REQ.
15	SEAT	PTFE / METAL	1
16	NAME PLATE	ALUMINIUM	1

### Technical Data

@ MANUFACTURING STD. : MSS SP-81

@ INSPECTION & TESTING STD. : MSS SP-81

@ END CONNECTION : LUG TYPE SUITABLE FOR ASA 150#

TEST PRESSURE		
CLASS	HYDROSTATIC	
	BODY	SEAT
PN 10	15 Kg/cm <sup>2</sup>	10 Kg/cm <sup>2</sup>
TEMPERATURE: 250°C		

### DIMENSION TABLE

SIZE	ØNB	L	ØD	ØG	E	ØF
80	76	51	127	19	4	152.4
100	100	51	157	19	8	190.5
150	150	70	241	22.3	8	241.3
200	200	70	270	22.3	8	298.5
250	254	70	324	25.4	12	362
300	300	76	381	25.4	12	431.8
350	350	76	413	28.5	12	476.3
400	400	89	470	28.5	16	539.8
450	450	89	533	31.8	16	577.9
500	500	114	584	31.8	20	635
600	600	114	692	35.1	20	749.3

**NOTE:** Available In Uni Directional / Bi Directional

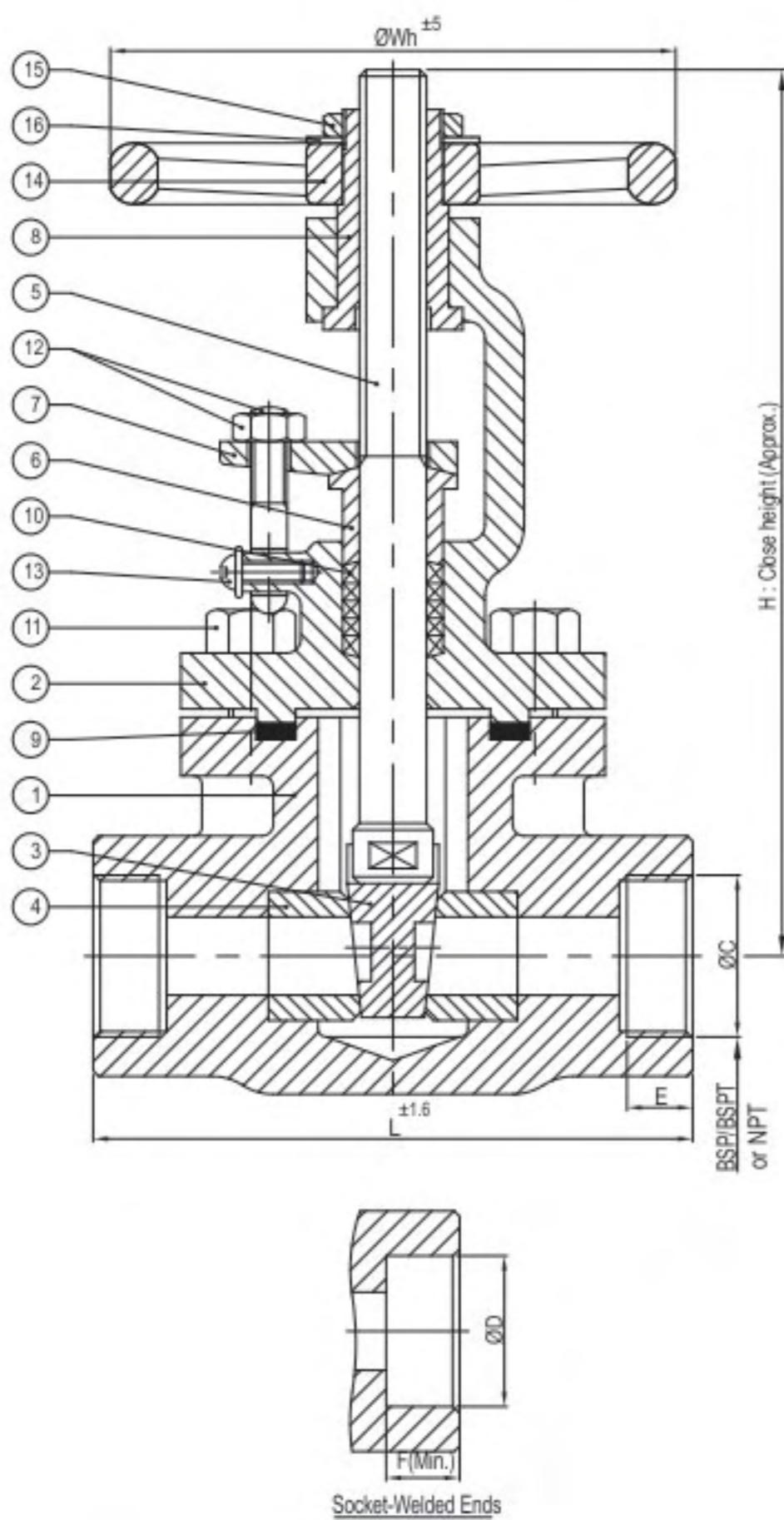
SUBJECT TO TECHNICAL CHANGE WITHOUT NOTICE

ALL DIMENSIONS ARE IN M.M.



*Difference Is Quality!*

## FORGED STEEL GATE VALVE - SW / SE



Part	Nomenclature	Material	Qty
1	BODY	ASTM A105 / F 304 / F 316 / F 22	1
2	BONNET	ASTM A105 / F 304 / F 316 / F 22	1
3	WEDGE	ASTM A217 CA15 + STELLITED/F 304 / F 316	1
4	SEAT RING	AISI 410 + STELLITED / AISI 304 / AISI 316	1
5	SPINDLE	AISI 410 (13% Cr.) / AISI 304 / AISI 316	2
6	GLAND	AISI 410 (13% Cr.) / AISI 304 / AISI 316	1
7	GLAND FLANGE	ASTM A105 / F 304 / F 316 / F 22	1
8	YOKE BUSH	S.G. IRON	1
9	GASKET	ASBESTOS FILLER SS 304 SPIRAL WOUNDED	1
10	GLAND PACKINGS	GRAPHLASB.INHIB. & INCONEL WIRE REIN/ GRAPHOIL	Req.
11	BONNET BOLTS	ASTM A193 Gr. B7	4
12	EYE BOLTS & NUTS	ASTM A193 Gr. B7 & ASTM A194 Gr. 2H	2
13	SCREW & WASHERS	ASTM A193 Gr. B7	2
14	HAND WHEEL	DUCTILE IRON / MALLEABLE IRON	1
15	YOKE NUT & WASHER	CARBON STEEL	1
16	NAME PLATE	ALLUMINIUM	1

### DIMENSION TABLE : ASA 800#

SIZE	L	H	$\varnothing Wh$	SCR. ENDS		SW. ENDS		F (MIN.)
				$\varnothing G$	E	$\varnothing D$		
						MAX	MIN	
15	87	141	95	1/2"	13.56	22.22	21.72	9.65
20	92	148	95	3/4"	13.87	27.56	27.05	12.7
25	106	173	95	1"	17.35	34.29	33.78	12.7
40	127	195	150	1.1/2"	18.38	49.15	48.64	12.7
50	142	235	150	2"	19.23	61.62	61.11	15.75

### DIMENSION TABLE : ASA 1500#

SIZE	L	H	$\varnothing Wh$	SCR. ENDS		SW. ENDS		F (MIN.)
				$\varnothing G$	E	$\varnothing D$		
						MAX	MIN	
15	92	148	95	1/2"	13.56	22.22	21.72	9.65
20	106	173	95	3/4"	13.87	27.56	27.05	12.7
25	127	195	150	1"	17.35	34.29	33.78	12.7
40	142	235	150	1.1/2"	18.38	49.15	48.64	12.7

### DIMENSION TABLE : ASA 2500#

SIZE	L	H	$\varnothing Wh$	SCR. ENDS		SW. ENDS		F (MIN.)
				$\varnothing G$	E	$\varnothing D$		
						MAX	MIN	
15	101	245	100	1/2"	13.56	22.22	21.72	9.65
20	127	251	125	3/4"	13.87	27.56	27.05	12.7
25	140	251	125	1"	17.35	34.29	33.78	12.7

SUBJECT TO TECHNICAL CHANGE WITHOUT NOTICE

ALL DIMENSIONS ARE IN M.M.

### Technical Data

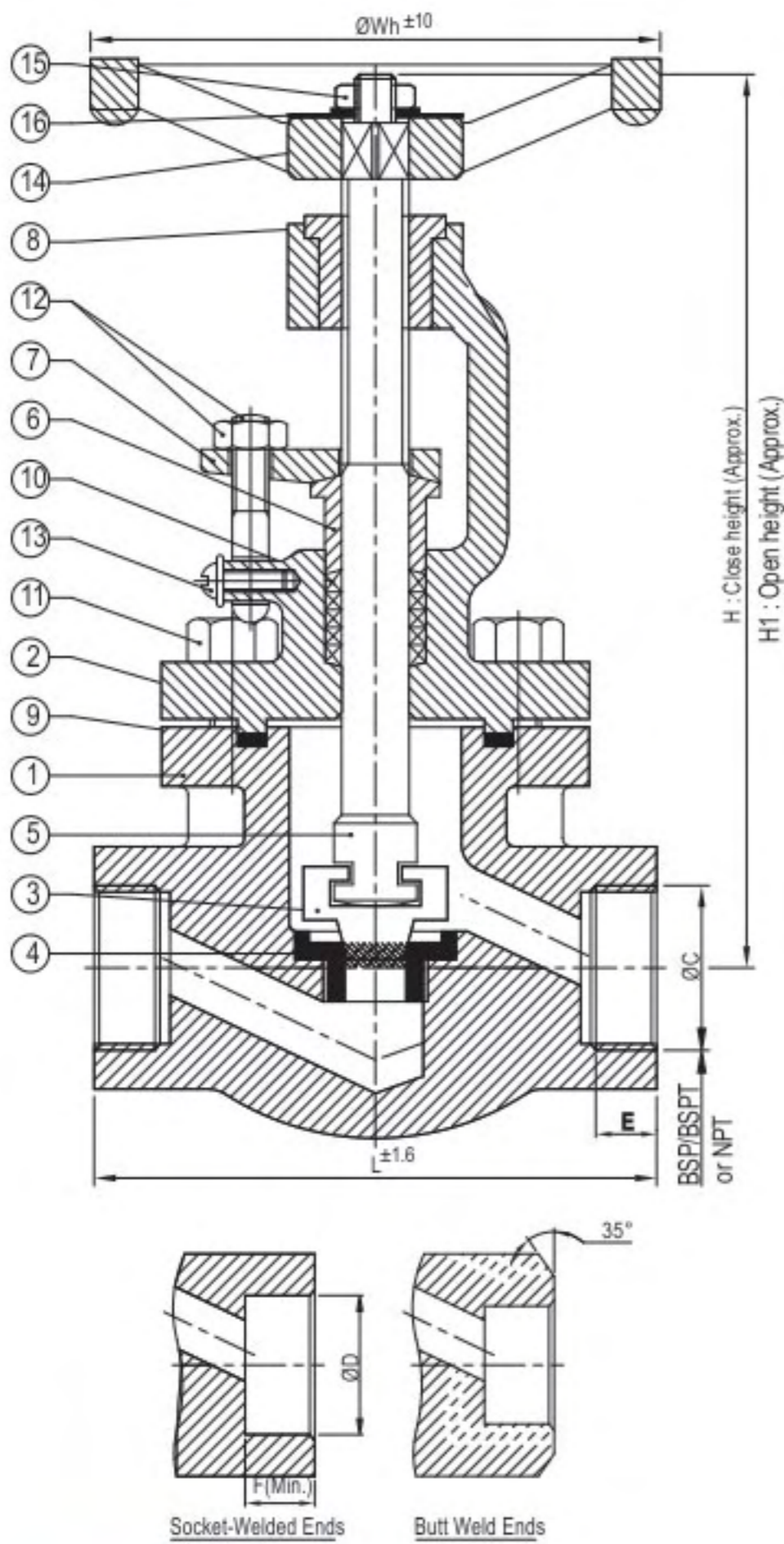
@ Manufacturing Std. : BS 5352  
 @ INSPECTION & TESTING STD. : API 602  
 @ END CONNECTION :  
 Screwed Ends to BSP / BSPT / NPT  
 Socket-Weld Ends to ANSI B16.11  
 Butt Weld Ends to ASME B 16.25

TEST PRESSURE		
CLASS	HYDROSTATIC	
	BODY	SEAT & BACK SEAT
ASA 800 #	211 Kg/cm <sup>2</sup>	141 Kg/cm <sup>2</sup>
ASA 1500 #	378 Kg/cm <sup>2</sup>	280 Kg/cm <sup>2</sup>
ASA 2500 #	630 Kg/cm <sup>2</sup>	462 Kg/cm <sup>2</sup>



*Difference Is Quality!*

## FORGED STEEL GLOBE VALVE - SW / SE



Part	Nomenclature	Material	Qty
1	BODY	ASTM A105 / F 304 / F 316 / F 22	1
2	BONNET	ASTM A105 / F 304 / F 316 / F 22	1
3	DISK	ASTM A217 CA15 + STELLITED/F 304 / F 316	1
4	SEAT RING	ASTM A217 CA15 + STELLITED/F 304 / F 316	1
5	SPINDLE	AISI 410 (13% Cr.) / AISI 304 / AISI 316	2
6	GLAND	AISI 410 (13% Cr.) / AISI 304 / AISI 316	1
7	GLAND FLANGE	ASTM A105 / F 304 / F 316 / F 22	1
8	YOKE BUSH	S.G. IRON	1
9	GASKET	ASBESTOS FILLER SS 304 SPIRAL WOUNDED	1
10	GLAND PACKINGS	GRAPHI.ASB.INHIB.&INCONEL WIRE REIN./GRAPHOIL	Req.
11	BONNET BOLTS	ASTM A193 Gr. B7	4
12	EYE BOLTS & NUTS	ASTM A193 Gr. B7 & ASTM A194 Gr. 2H	2
13	SCREW & WASHERS	ASTM A193 Gr. B7	2
14	HAND WHEEL	DUCTILE IRON / MALLEABLE IRON	1
15	WHEEL NUT & WASHER	ASTM A194 Gr. 2H	1
16	NAME PLATE	ALLUMINIUM	1

### DIMENSION TABLE : ASA 800#

SIZE	L	H	H1	$\varnothing Wh$	SCR. ENDS		SW. ENDS		F (MIN.)
					$\varnothing G$	E	$\varnothing D$		
							MAX	MIN	
15	87	160	168	95	1/2"	13.56	22.22	21.72	9.65
20	92	170	180	95	3/4"	13.87	27.56	27.05	12.7
25	106	180	192	95	1"	17.35	34.29	33.78	12.7
40	127	242	257	150	1.1/2"	18.38	49.15	48.64	12.7
50	142	255	272	150	2"	19.23	61.62	61.11	15.75

### DIMENSION TABLE : ASA 1500#

SIZE	L	H	H1	$\varnothing Wh$	SCR. ENDS		SW. ENDS		F (MIN.)
					$\varnothing G$	E	$\varnothing D$		
							MAX	MIN	
15	92	170	180	95	1/2"	13.56	22.22	21.72	9.65
20	106	180	192	95	3/4"	13.87	27.56	27.05	12.7
25	127	242	257	150	1"	17.35	34.29	33.78	12.7
40	142	255	272	150	1.1/2"	18.38	49.15	48.64	12.7

### DIMENSION TABLE : ASA 2500#

SIZE	L	H	H1	$\varnothing Wh$	SCR. ENDS		SW. ENDS		F (MIN.)
					$\varnothing G$	E	$\varnothing D$		
							MAX	MIN	
15	106	180	192	95	1/2"	13.56	22.22	21.72	9.65
20	127	242	257	150	3/4"	13.87	27.56	27.05	12.7
25	142	255	272	150	1"	17.35	34.29	33.78	12.7

SUBJECT TO TECHNICAL CHANGE WITHOUT NOTICE

ALL DIMENSIONS ARE IN M.M.

### Technical Data

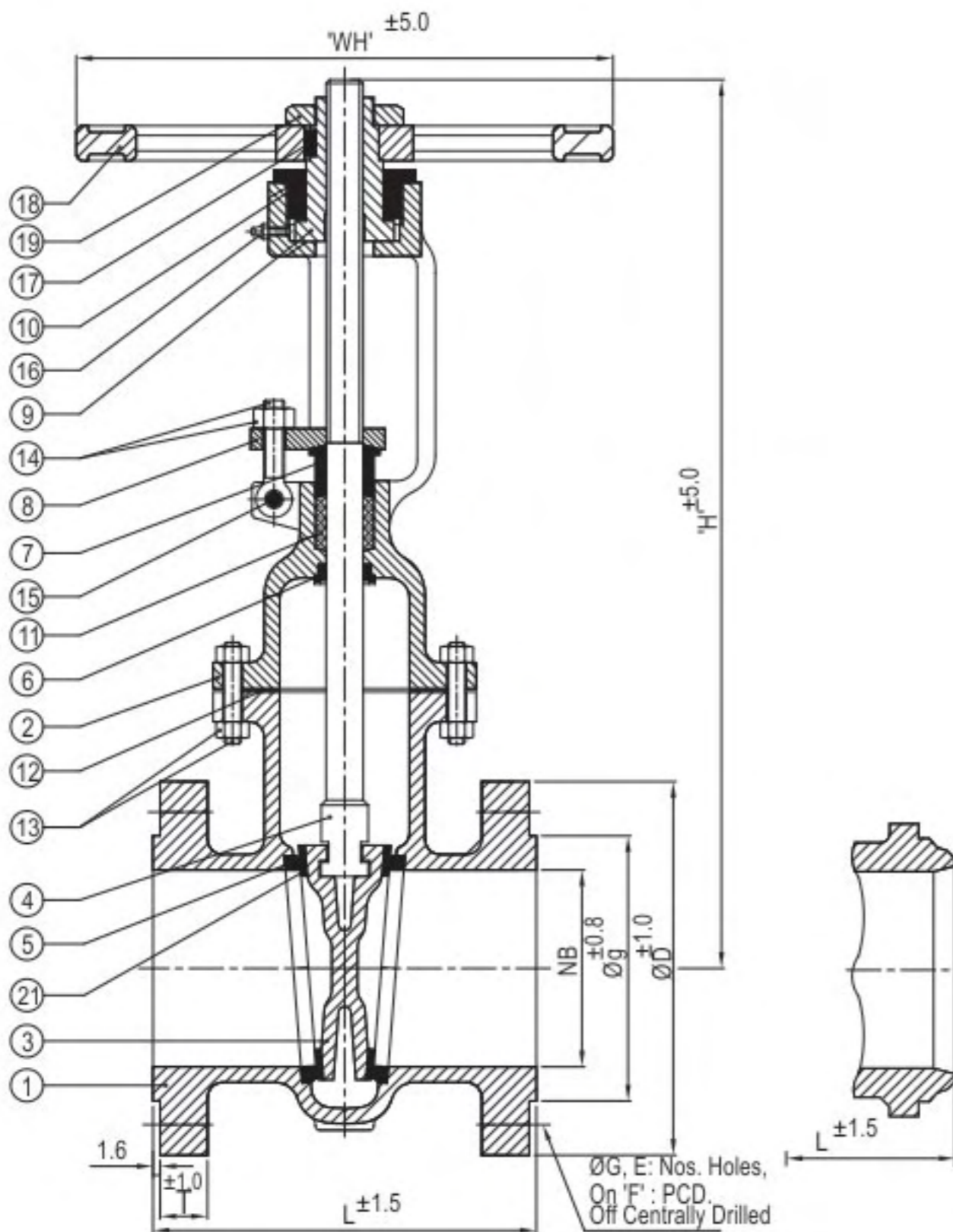
- @ Manufacturing Std. : BS 5352
- @ INSPECTION & TESTING STD. : API 598 / BS 6755 (PART-I)
- @ END CONNECTION :  
Screwed Ends to BSP/BSPT/NPT  
Socket-Weld Ends to ANSI B16.11  
Butt Weld Ends to ASME B 16.25

TEST PRESSURE		
CLASS	HYDROSTATIC	
	BODY	SEAT & BACK SEAT
ASA 800 #	211 Kg/cm <sup>2</sup>	141 Kg/cm <sup>2</sup>
ASA 1500 #	378 Kg/cm <sup>2</sup>	280 Kg/cm <sup>2</sup>
ASA 2500 #	630 Kg/cm <sup>2</sup>	462 Kg/cm <sup>2</sup>



*Difference Is Quality!*

## GATE VALVE FLANGED END



Part	Nomenclature	Material	Qty
1	BODY	ASTM A 216 Gr. WCB - WC6 / CAST IRON ASTMA 351 Gr. CF8 / ASTM A 351 Gr. CF8M	1
2	BONNET	ASTM A 216 Gr. WCB - WC6 / CAST IRON ASTMA 351 Gr. CF8 / ASTM A 351 Gr. CF8M	1
3	WEDGE	13% Cr. + STELLITED/ ASTM A 351 Gr. CF8M	1
4	STEM	AISI 410 / AISI 304 / AISI 316	1
5	SEAT RING	13% Cr. STELLITED / AISI 304 / AISI 316	2
6	BACK SEAT	AISI 410 / AISI 304 / AISI 316	1
7	GLAND	AISI 410 / AISI 304 / AISI 316	1
8	GLAND FLANGE	ASTM A216 Gr. WCB / ASTM A 351 Gr. CF8M	1
9	YOKE SLEEVE	NI-RESIST / S.G. IRON	1
10	YOKE	AISI 410 / AISI 304 / AISI 316	1
11	GLAND PACKING	METALLIC WIRE REINFORCED GRAPHITE ASBESTOS	5 min.
12	BONNET GASKET	SS 304/ SS 316 SPIRAL WOUNDED WITH CAF	1
13	BONNET STUDS & NUTS	ASTMA193 Gr. B7 & ASTM A194 Gr. 2H	Req.
14	GLAND EYE BOLTS & NUTS	ASTMA193 Gr. B7 & ASTM A194 Gr. 2H	2
15	GLAND LUG BOLTS & NUTS	ASTMA193 Gr. B7 & ASTM A194 Gr. 2H	2
16	GREASE NIPPLE	BRASS / STEEL	1
17	KEY	CARBON STEEL	1
18	HAND WHEEL	CAST IRON / MALLEABLE IRON	1
19	HAND WHEEL NUT	CARBON STEEL / STAINLESS STEEL	1
20	NAME PLATE	ALUMINIUM	1

### Technical Data

- @ MANUFACTURING STD. : API 60
- @ INSPECTION & TESTING STD. : API 5980
- @ END CONNECTION : FLANGED ENDS AS PER ASME B 16.5 RF 150#
- @ FACE TO FACE : AS PER ASME B16.10

### DIMENSION TABLE : ASA 150#

SIZE	NB	L	ØD	ØB	T	ØG	E	ØF	'H'	'WH'
25	25	127	108	50.8	11.2	15.7	4	79.3	250	152
32	32	139.7	117.3	63.5	12.7	15.7	4	88.3	300	152
40	38	165	127	73.2	14.2	15.7	4	98.6	330	152
50	51	178	152.4	92	15.8	19	4	120.7	360	203
65	64	190.5	177.8	104.6	17.5	19	4	139.7	415	203
80	76	203	190.5	127	19	19	4	152.4	425	254
100	102	229	228.6	157.2	23.9	19	8	190.5	510	254
125	127	254	254	185.7	23.9	22.3	8	215.9	595	305
150	152	267	279.4	215.9	25.4	22.3	8	241.3	685	305
200	203	292	343	269.7	28.5	22.3	8	298.5	770	305
250	254	330	406.4	324	30.2	25.4	12	362	940	408
300	305	356	483	381	31.8	25.4	12	431.8	1030	457
350	337	380	533	413	35.1	28.5	12	476.3	1270	457
400	387	406.5	597	470	36.6	28.5	16	539.8	1450	508
450	438	432	635	533	39.6	31.8	16	577.9	1600	508
500	489	457	698	584	42.9	31.8	20	635	1810	610
600	591	508	813	692	47.8	35.1	20	749.3	2725	660

SUBJECT TO TECHNICAL CHANGE WITHOUT NOTICE

ALL DIMENSIONS ARE IN M.M.

TEST PRESSURE			
CLASS	HYDROSTATIC		PNEUMATIC
	BODY	SEAT & BACK SEAT	SEAT
150 #	30 Kg/cm <sup>2</sup>	22 Kg/cm <sup>2</sup>	7 Kg/cm <sup>2</sup>
300 #	78 Kg/cm <sup>2</sup>	57 Kg/cm <sup>2</sup>	7 Kg/cm <sup>2</sup>
600 #	154 Kg/cm <sup>2</sup>	114 Kg/cm <sup>2</sup>	7 Kg/cm <sup>2</sup>
800 #	211 Kg/cm <sup>2</sup>	141 Kg/cm <sup>2</sup>	7 Kg/cm <sup>2</sup>
900 #	228 Kg/cm <sup>2</sup>	168 Kg/cm <sup>2</sup>	7 Kg/cm <sup>2</sup>
1500 #	378 Kg/cm <sup>2</sup>	280 Kg/cm <sup>2</sup>	7 Kg/cm <sup>2</sup>
2500 #	630 Kg/cm <sup>2</sup>	462 Kg/cm <sup>2</sup>	7 Kg/cm <sup>2</sup>



*Difference Is Quality!*

## GATE VALVE FLANGED END

**DIMENSION TABLE : ASA 300 #**

SIZE	NB	L	ØD	ØB	T	ØG	E	ØF	'H'	'WH'
25	25	165	124	50.8	17.5	19	4	89	265	140
32	32	178	133	63.5	19	19	4	98.5	315	140
40	38	190.5	155.5	73.2	20.5	22.3	4	114	345	175
50	51	216	165	92	22.3	22.3	8	127	400	200
65	64	241	190	104.6	25.4	22.3	8	149	460	200
80	76	282	209	127	28.5	22.3	8	168	475	250
100	102	305	254	157.2	32	22.3	8	200	560	250
125	127	381	279	185.7	35	22.3	8	235	660	350
150	152	403	318	215.9	36.5	22.3	12	270	775	350
200	203	457	381	269.7	41	25.4	12	330	871	400
250	254	622	444	324	47.7	29	16	387.5	1055	450
300	305	711	521	381	50.8	32	16	451	1205	500
350	337	838	584	413	54	32	20	514.5	1405	600
400	387	864	648	470	57.2	35	20	571.5	1545	600
450	438	978	711	533	60.4	35	24	628.5	2160	700
500	489	1016	775	584	63.5	35	24	686	2410	700
600	591	1143	914	692	69.9	35	24	686	2410	700

**DIMENSION TABLE : ASA 600 #**

SIZE	NB	L	ØD	ØB	T	ØG	E	ØF	'H'	'WH'
25	25	216	124	50.8	17.5	19	4	89	275	175
32	32	228.6	133.4	63.5	20.5	19	4	98.5	325	200
40	38	241	155.5	73.2	22.3	22.3	4	114.3	387	200
50	51	292	165	92	25.4	19	8	127	430	250
65	64	330	190.5	104.6	28.5	22.3	8	149.3	480	250
80	76	355.6	209.5	127	32	22.3	8	168	540	250
100	102	432	273	157.2	38	25.4	8	216	625	350
125	125	508	330	185.7	44.5	28.5	8	265.7	770	400
150	148	559	355.6	215.9	48	28.5	12	292	850	450
200	200	660.4	470	269.7	55.6	32	12	349.3	1030	500
250	248	787.4	508	324	63.5	35	16	432	1190	600
300	298	838	559	381	66.5	35	20	489	1430	680
350	327	889	603	413	70	38	20	527	1505	760
400	375	990	686	470	76	41	20	603	1720	760
450	438	1092	743	533	82.6	45	20	654	2140	760
500	489	1194	813	584	89	45	24	724	2310	850
600	591	1397	940	692	101.6	51	24	838	2680	850

**DIMENSION TABLE : ASA 900 #**

SIZE	NB	L	ØD	ØB	T	ØG	E	ØF	'H'	'WH'
40	38	304.8	177.8	73	31.8	28.5	4	124	490	250
50	51	368	216	92	38.1	25.4	8	165	507	300
80	76	381	241	127	41.2	28.5	8	190.5	611	400
100	98	457	292	157	44.5	31.75	8	235	673	450
150	148	610	381	216	55.6	31.75	12	317.5	930	600
200	190.5	737	470	270	63.5	38	12	393.7	1113	680
250	248	838	546	324	69.9	38	16	470	1290	680
300	298	965	610	381	79.2	38	20	533.5	1502	760

**DIMENSION TABLE : ASA 1500 #**

SIZE	NB	L	ØD	ØB	T	ØG	E	ØF	'H'	'WH'
40	38	305	177.8	73	31.8	28.45	4	124	490	250
50	51	368	216	92	38	25.4	8	165	507	300
80	76	470	267	127	47.8	31.75	8	203.2	655	400
100	98	546	311	157	54	35	8	241.3	750	450
150	148	705	394	216	82.5	38.1	12	317.5	995	600
200	190.5	832	483	270	92	44.45	12	393.7	1192	680
250	248	991	584	324	108	50.8	12	482.6	1420	910
300	298	1130	673	381	124	54	16	571.5	1600	910

**DIMENSION TABLE : ASA 2500 #**

SIZE	NB	L	ØD	ØB	T	ØG	E	ØF	'H'	'WH'
50	51	451	235	92	51	29	8	171.5	595	250
80	8	578	305	127	66.5	35	8	228.5	750	350
100	98	673	355.6	157	76	41	8	273	805	400
150	148	914	483	216	108	54	8	368.5	1200	600
200	190.5	1022	552	270	127	54	12	438	1346	680
250	248	1270	673	324	165	67	12	540	1500	910

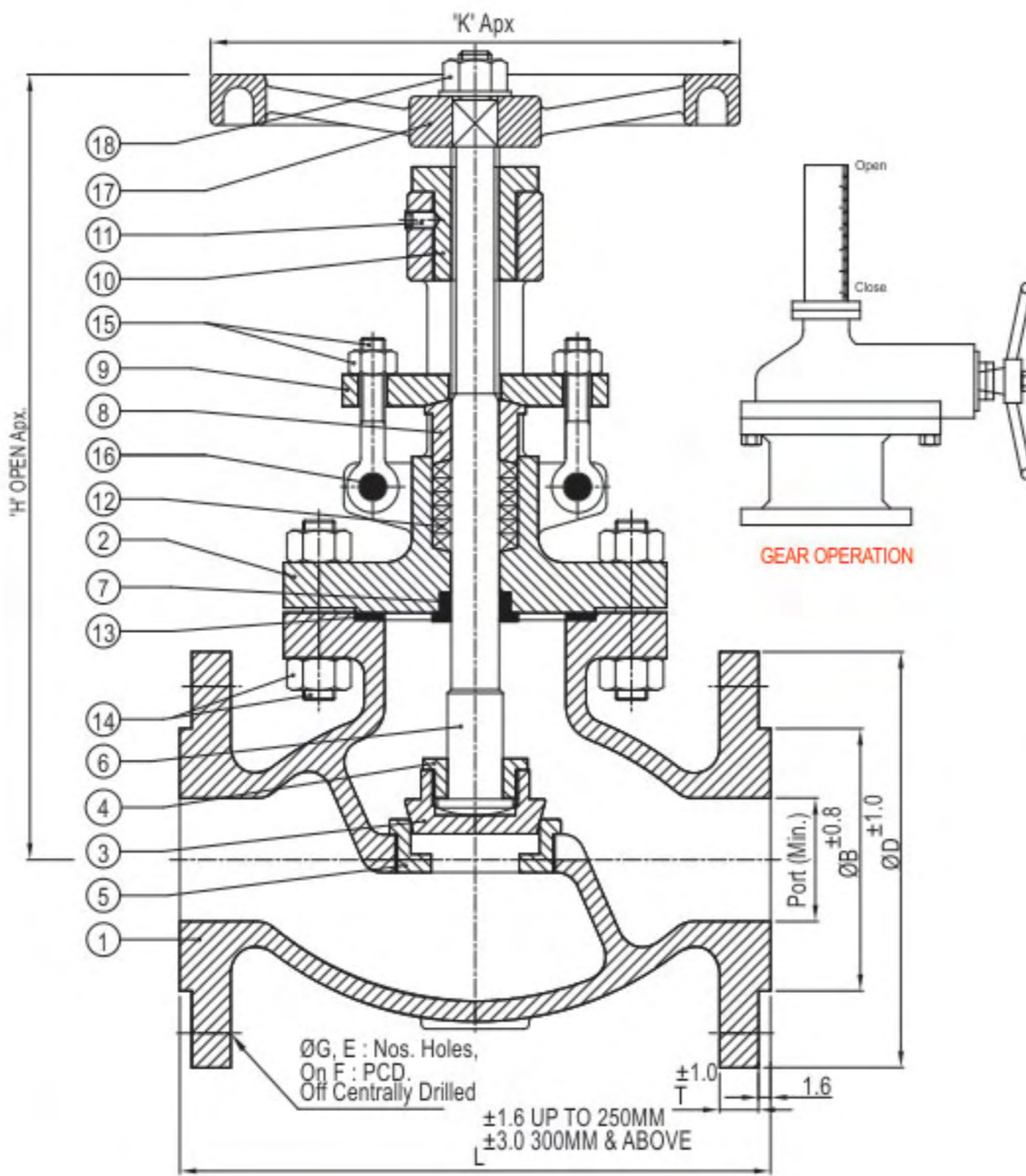
SUBJECT TO TECHNICAL CHANGE WITHOUT NOTICE

ALL DIMENSIONS ARE IN M.M.



*Difference Is Quality!*

## GLOBE VALVE - F/E



Part	Nomenclature	Material	Qty
1	BODY	ASTM A 216 Gr. WCB - WC6 / CAST IRON ASTM A 351 Gr. CF8 / ASTM A 351 Gr. CF8M	1
2	BONNET	ASTM A 216 Gr. WCB - WC6 / CAST IRON ASTM A 351 Gr. CF8 / ASTM A 351 Gr. CF8M	1
3	PLUG	AISI 410 / AISI 304 / AISI 316	1
4	PLUG NUT	AISI 410 / AISI 304 / AISI 316	1
5	SEAT RING	AISI 410 / AISI 304 / AISI 316	1
6	STEM	AISI 410 / AISI 304 / AISI 316	1
7	BACK SEAT BUSHING	AISI 410 / AISI 304 / AISI 316	1
8	GLAND	AISI 410 / AISI 304 / AISI 316	1
9	GLAND FLANGE	ASTM A 216 Gr. WCB - WC6 / CAST IRON ASTM A 351 Gr. CF8 / ASTM A 351 Gr. CF8M	1
10	YOKE NUT	S.G. IRON	1
11	GRUB SCREW	CARBON STEEL / STAINLESS STEEL	1
12	STEM PACKING	PTFE / GRAPHOIL	5 min.
13	BONNET GASKET	SS 304 / SS 316 SPIRAL WOUND	1
14	BONNET STUDS & NUTS	ASTM A193 Gr. B7 & ASTM A194 Gr. 2H	Req.
15	GLAND EYE BOLTS & NUTS	ASTM A193 Gr. B7 & ASTM A194 Gr. 2H	2
16	GLAND LUG BOLTS & NUTS	CARBON STEEL / STAINLESS STEEL	2
17	HAND WHEEL	DUCTILE IRON / MALLEABLE IRON	1
18	WHEEL NUT & WASHER	CARBON STEEL / STAINLESS STEEL	1
19	NAME PLATE	ALLUMINIUM	1

### Technical Data

- @ MANUFACTURING STD. : BS 1873
- @ INSPECTION & TESTING STD. : API 598 / BS 6755 (PART-I)
- @ END CONNECTION : FLANGED ENDS AS PER ASME B 16.5  
RF 150# / 300# / 600# / 900# / 1500# / 2500# / BS 1560
- @ FACE TO FACE : AS PER ASME B16.10

### DIMENSION TABLE : ASA 150 #

SIZE	NB	L	ØD	ØB	T	ØG	E	ØF	'H'	'WH'
25	25	127	108	50.8	11.2	15.7	4	79.3	200	150
32	32	140	117.3	63.5	12.7	15.7	4	88.3	250	150
40	38	165	127	73.2	14.2	15.7	4	98.6	270	185
50	51	203	152.4	92	15.8	19	4	120.7	320	200
65	64	216	177.8	104.6	17.5	19	4	139.7	330	200
80	76	241	190.5	127	19	19	4	152.4	380	250
100	102	292	228.6	157.2	23.9	19	8	190.5	480	300
125	127	356	254	185.7	23.9	22.3	8	215.9	525	300
150	152	406	279.4	215.9	25.4	22.3	8	241.3	575	350
200	203	495	343	269.7	28.5	22.3	8	298.5	650	450
250	254	622	406.4	324	30.2	25.4	12	362	780	500
300	305	698	483	381	31.8	25.4	12	431.8	935	600
350	337	787	533	413	35.1	28.5	12	476.3	1185	700
400	387	914	597	470	36.6	28.5	16	539.8	1250	750
450	438	978	635	533	39.6	31.8	16	577.9	1350	800
500	489	978	698	584	42.9	31.8	20	635	1410	800
600	591	1295	813	692	47.8	35.1	20	749.3	1650	900

SUBJECT TO TECHNICAL CHANGE WITHOUT NOTICE

ALL DIMENSIONS ARE IN M.M.

TEST PRESSURE			
CLASS	HYDROSTATIC		PNEUMATIC
	BODY	SEAT & BACK SEAT	SEAT
150 #	30 Kg/cm <sup>2</sup>	22 Kg/cm <sup>2</sup>	7 Kg/cm <sup>2</sup>
300 #	78 Kg/cm <sup>2</sup>	57 Kg/cm <sup>2</sup>	7 Kg/cm <sup>2</sup>
600 #	154 Kg/cm <sup>2</sup>	114 Kg/cm <sup>2</sup>	7 Kg/cm <sup>2</sup>
800 #	211 Kg/cm <sup>2</sup>	141 Kg/cm <sup>2</sup>	7 Kg/cm <sup>2</sup>
900 #	228 Kg/cm <sup>2</sup>	168 Kg/cm <sup>2</sup>	7 Kg/cm <sup>2</sup>
1500 #	378 Kg/cm <sup>2</sup>	280 Kg/cm <sup>2</sup>	7 Kg/cm <sup>2</sup>
2500 #	630 Kg/cm <sup>2</sup>	462 Kg/cm <sup>2</sup>	7 Kg/cm <sup>2</sup>



*Difference Is Quality!*

## GLOBE VALVE - F/E

**DIMENSION TABLE : ASA 300 #**

SIZE	NB	L	ØD	ØB	T	ØG	E	ØF	'H'	'WH'
25	25	203	124	50.8	17.5	19	4	89	290	175
32	32	216	133	63.5	19	19	4	98.5	320	175
40	38	229	155.5	73.2	20.5	22.3	4	114	350	200
50	51	267	165	92	22.3	22.3	8	127	395	200
65	64	292	190	104.6	25.4	22.3	8	149	430	250
80	76	318	209	127	28.5	22.3	8	168	475	250
100	102	356	254	157.2	32	22.3	8	200	510	350
125	127	400	279	185.7	35	22.3	8	235	550	350
150	152	444	318	215.9	36.5	22.3	12	270	620	480
200	203	559	381	269.7	41	25.4	12	330	700	480
250	254	622	444	324	47.7	29	16	387.5	825	700
300	305	711	521	381	50.8	32	16	451	950	750
350	337	838	584	413	54	32	20	514.5	1145	800
400	387	864	648	470	57.2	35	20	571.5	1370	800
450	438	978	711	533	60.4	35	24	628.5	1422	850
500	489	1016	775	584	63.5	35	24	686	1475	900

**DIMENSION TABLE : ASA 600 #**

SIZE	NB	L	ØD	ØB	T	ØG	E	ØF	'H'	'WH'
25	25	216	124	50.8	17.5	19	4	89	325	175
32	32	228.6	133	63.5	20.5	19	4	98.5	352	200
40	38	241.3	155.5	73.2	22.3	22.3	4	114.3	380	200
50	51	292	165	92	25.4	19	8	127	425	250
65	64	330	190	104.6	28.5	22.3	8	149.3	460	250
80	76	355.6	209	127	32	22.3	8	168	495	350
100	102	432	254	157.2	38	25.4	8	216	550	400
125	127	508	279	185.7	44.5	28.5	8	265.7	625	480
150	152	559	318	215.9	48	28.5	12	292	690	480
200	200	660.4	381	269.7	55.6	32	12	349.3	750	600
250	248	787.4	508	324	69.8	35	16	431.8	875	700
300	298	838	559	381	72.9	35	20	489	945	750

**DIMENSION TABLE : ASA 900 #**

SIZE	NB	L	ØD	ØB	T	ØG	E	ØF	'H'	'WH'
40	38	305	177.8	73	31.8	28.5	4	124	420	250
50	51	368	216	92	38.1	25.4	8	165	468	350
80	76	381	241	127	41.2	28.5	8	190.5	535	350
100	102	457	292	157	44.5	31.75	8	235	580	400
150	152	609.6	381	216	55.6	31.75	12	317.5	745	480
200	200	736.6	470	270	63.5	38	12	393.7	850	600
250	248	838	546	324	69.9	38	16	470	1150	700
300	298	965	610	381	79.2	38	20	533.5	1400	750

**DIMENSION TABLE : ASA 1500 #**

SIZE	NB	L	ØD	ØB	T	ØG	E	ØF	'H'	'WH'
40	38	305	177.8	73	31.8	28.45	4	124	420	250
50	51	368	216	92	38	25.4	8	165	468	350
80	76	470	267	127	47.8	31.75	8	203.2	625	480
100	102	546	311	157	54	35	8	241.3	735	600
150	152	705	394	216	82.5	38.1	12	317.5	950	700
200	200	832	483	270	92	44.45	12	393.7	1105	800
250	248	990	584	324	108	50.8	12	482.6	1480	900
300	298	1130	673	381	124	54	16	571.5	1640	1000

**DIMENSION TABLE : ASA 2500 #**

SIZE	NB	L	ØD	ØB	T	ØG	E	ØF	'H'	'WH'
50	51	451	235	92	51	29	8	171.5	610	400
80	8	578	305	127	66.5	35	8	228.5	795	500
100	98	673	355.6	157	76	41	8	273	975	700
150	148	914	483	216	108	54	8	368.5	1080	750

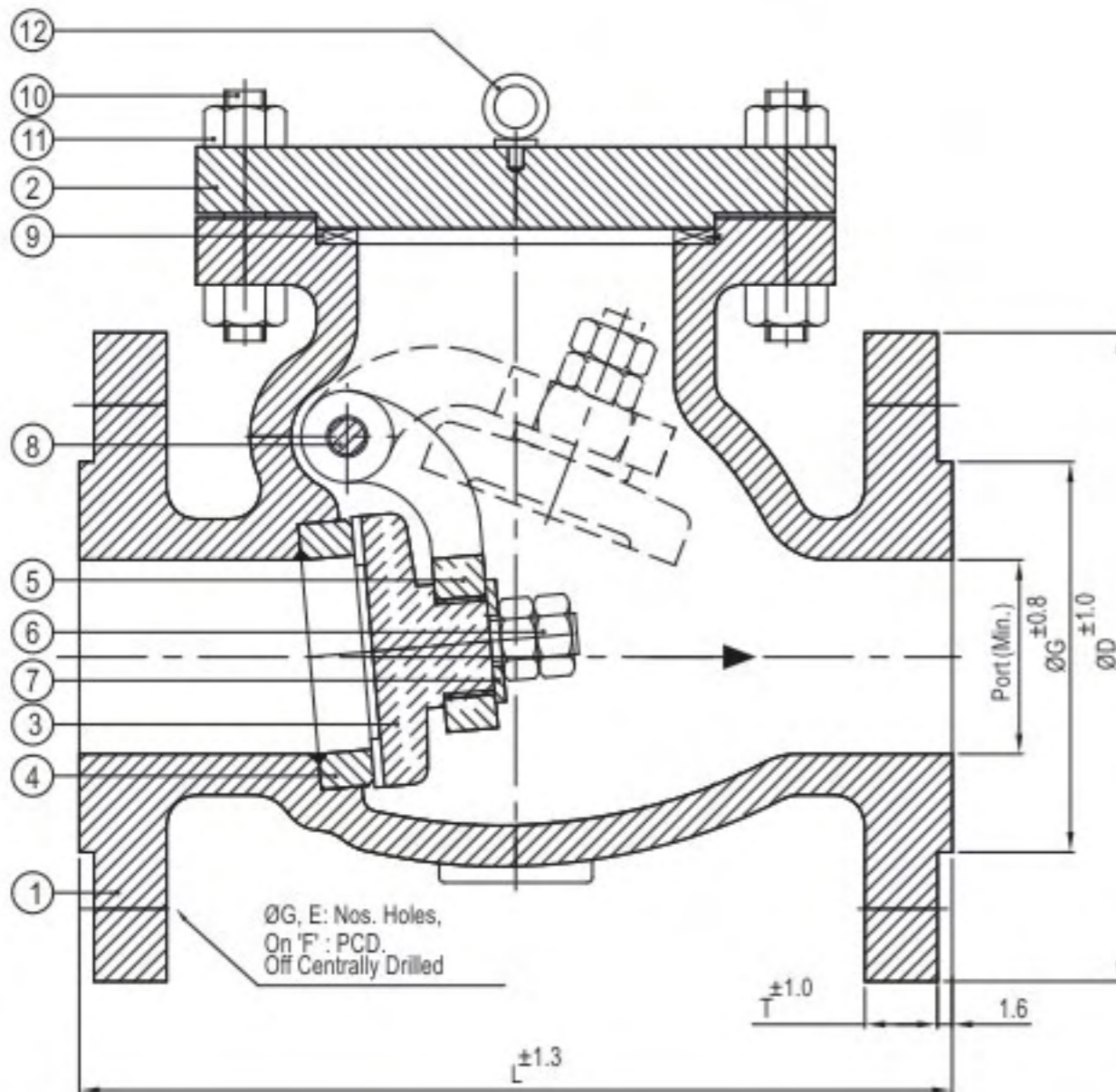
SUBJECT TO TECHNICAL CHANGE WITHOUT NOTICE

ALL DIMENSIONS ARE IN M.M.



*Difference Is Quality!*

## SWING CHECK VALVE F/E



NOTE:  
 @ Seat Weld 8 and above  
 @ Lifting Eye bolt 6 NB and above  
 @ Disc Stellite Optional

Part	Nomenclature	Material	Qty
1	BODY	ASTM A 216 Gr. WCB - WC6 / CAST IRON ASTM A 351 Gr. CF8 / ASTM A 351 Gr. CF8M	1
2	TOP COVER	ASTM A 216 Gr. WCB - WC6 / CAST IRON ASTM A 351 Gr. CF8 / ASTM A 351 Gr. CF8M	1
3	DISC	13% Cr. FACING ON WCB + STELLITED/ SS 304-316	1
4	SEAT RING (SEAL WELD)	13% Cr. + STELLITED / SS 304 / SS 316	1
5	HINGE	ASTM A 216 Gr. WCB - WC6 / CAST IRON ASTM A 351 Gr. CF8 / ASTM A 351 Gr. CF8M	1
6	DISC NUT	CARBON STEEL / STAINLESS STEEL	2
7	DISC WASHER	CARBON STEEL / STAINLESS STEEL	1
8	HINGE PIN	AISI 410 / AISI 304 / AISI 316	1
9	COVER GASKET	METALLIC WIRE REINFORCED GRAPHITE ASBESTOS	1
10	COVER STUD	ASTM A193 Gr. B7	Req.
11	COVER NUTS	ASTM A194 Gr. 2H	Req.
12	LIFTING EYE BOLT	ASTM A 105	1
13	NAME PLATE	ALUMINIUM	1

### Technical Data

- @ MANUFACTURING STD. : BS 1868
- @ INSPECTION & TESTING STD. : ISO 5208  
(REPLACE OF BS 6755 (Part-I))
- @ END CONNECTION : FLANGED ENDS AS PER ASME B 16.5  
RF 150# Butt Weld Ends to ASME B 16.25
- @ FACE TO FACE : AS PER ASME B16.10

### DIMENSION TABLE : ASA 150#

SIZE	NB	L	ØD	ØB	T	ØG	E	ØF
25	25	127	108	50.8	11.2	15.7	4	79.3
32	32	139.7	117.3	63.5	12.7	15.7	4	88.3
40	38	165	127	73.2	14.2	15.7	4	98.6
50	51	203	152.4	92	15.8	19	4	120.7
65	64	216	177.8	104.6	17.5	19	4	139.7
80	76	241.3	190.5	127	19	19	4	152.4
100	102	292	228.6	157.2	23.9	19	8	190.5
125	127	330	254	185.7	23.9	22.3	8	215.9
150	152	355.6	279.4	215.9	25.4	22.3	8	241.3
200	203	495.3	343	269.7	28.5	22.3	8	298.5
250	254	622	406.4	324	30.2	25.4	12	362
300	305	698.5	483	381	31.8	25.4	12	431.8
350	337	787	533	413	35.1	28.5	12	476.3
400	387	864	597	470	36.6	28.5	16	539.8
450	438	978	635	533	39.6	31.8	16	577.9
500	489	978	698	584	42.9	31.8	20	635
600	591	1295	813	692	47.8	35.1	20	749.3

SUBJECT TO TECHNICAL CHANGE WITHOUT NOTICE

ALL DIMENSIONS ARE IN M.M.

TEST PRESSURE		
CLASS	HYDROSTATIC	
	BODY	SEAT & BACK SEAT
150 #	30 Kg/cm <sup>2</sup>	22 Kg/cm <sup>2</sup>
300 #	78 Kg/cm <sup>2</sup>	57 Kg/cm <sup>2</sup>
600 #	154 Kg/cm <sup>2</sup>	114 Kg/cm <sup>2</sup>
800 #	211 Kg/cm <sup>2</sup>	141 Kg/cm <sup>2</sup>
900 #	228 Kg/cm <sup>2</sup>	168 Kg/cm <sup>2</sup>
1500 #	378 Kg/cm <sup>2</sup>	280 Kg/cm <sup>2</sup>
2500 #	630 Kg/cm <sup>2</sup>	462 Kg/cm <sup>2</sup>





*Difference Is Quality!*

## SWING CHECK VALVE F/E

**DIMENSION TABLE : ASA 300 #**

SIZE	NB	L	ØD	ØB	T	ØG	E	ØF
25	25	216	124	50.8	17.5	19	4	89
32	32	229	133	63.5	19	19	4	98.5
40	38	241	155.5	73.2	20.5	22.3	4	114
50	51	267	165	92	22.3	22.3	8	127
65	64	292	190	104.6	25.4	22.3	8	149
80	76	317.5	209	127	28.5	22.3	8	168
100	102	355.6	254	157.2	32	22.3	8	200
125	127	400	279	185.7	35	22.3	8	235
150	152	444.5	318	215.9	36.5	22.3	12	270
200	203	533.4	381	269.7	41	25.4	12	330
250	254	622	444	324	47.7	29	16	387.5
300	305	711	521	381	50.8	32	16	451
350	337	838	584	413	54	32	20	514.5
400	387	864	648	470	57.2	35	20	571.5
450	438	978	711	533	60.4	35	24	628.5
500	489	1016	775	584	63.5	35	24	686

**DIMENSION TABLE : ASA 600#**

SIZE	NB	L	ØD	ØB	T	ØG	E	ØF
50	51	292	165	92	25.4	19	8	127
65	64	330	190.5	104.6	28.5	22.3	8	149.3
80	76	356	209.5	127	32	22.3	8	168
100	102	432	273	157.2	38	25.4	8	216
125	127	508	330	185.7	44.5	28.5	8	265.7
150	152	559	355.6	215.9	48	28.5	12	292
200	203	660	470	269.7	55.6	32	12	349.3
250	254	787	508	324	63.5	35	16	432
300	305	838	559	381	66.5	35	20	489
350	337	889	603	413	70	38	20	527
400	387	991	686	470	76	41	20	603

**DIMENSION TABLE : ASA 900 #**

SIZE	NB	L	ØD	ØB	T	ØG	E	ØF
50	48	368	216	92	38	25.4	8	165
80	73	381	241.3	127	38	25.4	8	190.5
100	98	457	292	157	44.45	31.75	8	235
150	146	609.6	381	216	55.6	31.75	12	317.5
200	190	736.6	470	270	63.5	38	12	394
250	238	838	546	324	70	38	16	470
300	283	965	610	381	79.2	38	20	533.4

**DIMENSION TABLE : ASA 1500 #**

SIZE	NB	L	ØD	ØB	T	ØG	E	ØF
50	48	368	216	92	38	25.4	8	165
80	73	470	267	127	47.8	31.75	8	203.2
100	98	546	311	157	54	35	8	241.3
150	146	705	394	216	82.5	38.1	12	317.5
200	190	832	483	270	92	44.45	12	393.7
250	238	991	584	324	108	50.8	12	482.6
300	283	1130	673	381	124	54	16	571.5

**DIMENSION TABLE : ASA 2500#**

SIZE	NB	L	ØD	ØB	T	ØG	E	ØF
50	48	368	235	92	51	29	8	171.5
80	73	470	305	127	66.5	35	8	228.5
100	98	546	355.6	157	76	41	8	273
150	146	705	483	216	108	54	8	368.5
200	190	832	552	270	127	54	12	438

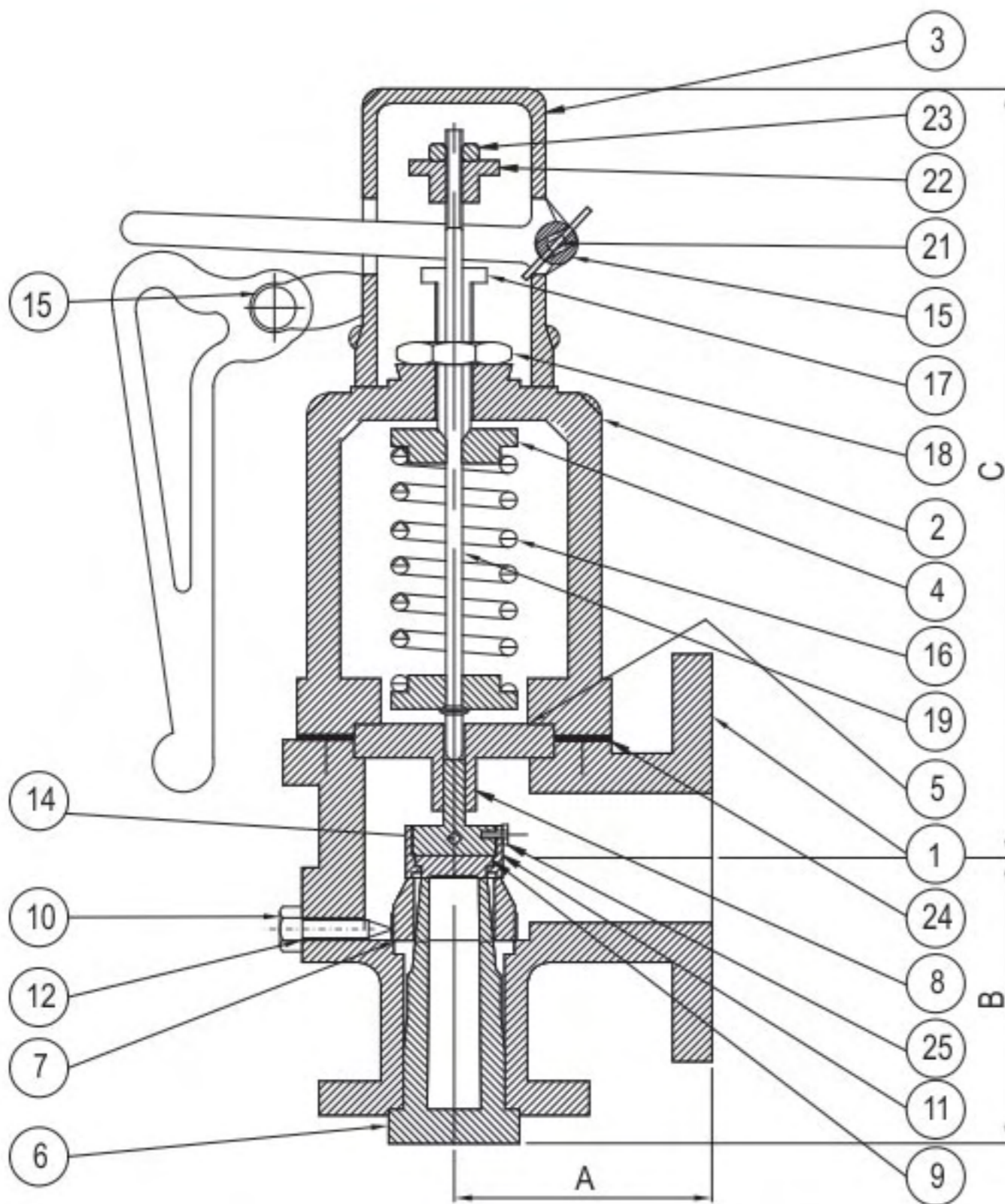
SUBJECT TO TECHNICAL CHANGE WITHOUT NOTICE

ALL DIMENSIONS ARE IN M.M.



*Difference Is Quality!*

## SAFETY VALVE



Part	Nomenclature	Material	Qty
1	BODY	ASTM A216 Gr. WCB / ASTM A 351 Gr. CF8 / CF8M / CI	1
2	BONNET	ASTM A216 Gr. WCB / ASTM A 351 Gr. CF8 / CF8M / CI	1
3	CAP	ASTM A216 Gr. WCB / ASTM A 351 Gr. CF8 / CF8M / CI	1
4	SPRING WASHER	CARBON STEEL / STAINLESS STEEL	1
5	GUIDE	AISI 304 / AISI 316	1
6	NOZZLE	AISI 304 / AISI 316	1
7	POPING RING	AISI 304 / AISI 316	1
8	DISC HOLDER	AISI 304 / AISI 316	1
9	VALVE SEAT	AISI 304 / AISI 316	1
10	BALL	AISI 304 / AISI 316	1
11	SEAT HOLDER	AISI 304 / AISI 316	1
12	POPING RING SCREW	AISI 304 / AISI 316	1
13	FORK	ASTM A216 Gr. WCB / ASTM A 351 Gr. CF8 / CF8M	1
14	LEVER	ASTM A216 Gr. WCB / ASTM A 351 Gr. CF8 / CF8M	1
15	LEVER PIN	AISI 304 / AISI 316	1
16	SPRING	SPRING STEEL	1
17	SETTING SCREW	AISI 304 / AISI 316	1
18	SETTING NUT	AISI 304 / AISI 316	1
19	SPINDLE	AISI 304 / AISI 316	1
20	LEVER ASJUSTING WASHER	AISI 304 / AISI 316	1
21	PIN	AISI 304 / AISI 316	1
22	SPINDLE WASHER	AISI 304 / AISI 316	2
23	SPINDLE NUT	AISI 304 / AISI 316	1
24	GASKET	GRAPHITE	1
25	SCREW	CARBON STEEL / STAINLESS STEEL	1

### Technical Data

@ MANUFACTURING STD. : API 525 / API 526 / BS 6257

@ INSPECTION & TESTING STD. : API 527

@ END CONNECTION :

FLANGED END ANSI B 16.5 RF ASA 150#

TEST PRESSURE	
SEAT PRESSURE	1 Kg/cm <sup>2</sup> TO 21 Kg/cm <sup>2</sup>
BODY	Hydrostatic Test Twice the Set Pressure
TEMPERATURE	425° C

### DIMENSION TABLE

SIZE	ORIFICE	ORIFICE	A	B	ØE	MIN. VALVE LIFE
25 x 50	D	9.5	105	114.5	470	3.0
25 x 50	E	12.5	105	114.5	470	4.0
25 x 50	G	23.0	105	114.5	470	6.0
40 x 50	F	16.0	124	120.5	520	4.0
40 x 65	G	23.0	124	120.5	530	5.0
40 x 80	H	28.0	130	124	530	7.0
40 x 80	J	32.5	130	124	575	8.0
50 x 80	H	28.0	133	124	575	7.0
50 x 80	J	32.5	133	124	575	8.5
65 x 100	J	32.5	136.5	143	595	8.5
80 x 100	K	41.5	155.5	162	690	10.5
80 x 100	L	50.0	155.5	165	690	13.5
100 x 150	P	72.5	181	228.5	900	18.5
100 x 150	Q	95.5	181	228.5	900	25.0
150 x 200	Q	95.5	239.5	241.5	1445	25.0
150 x 200	R	115	239.5	241.5	1445	30.0
200 x 250	T	146	276	279.5	1500	37.0

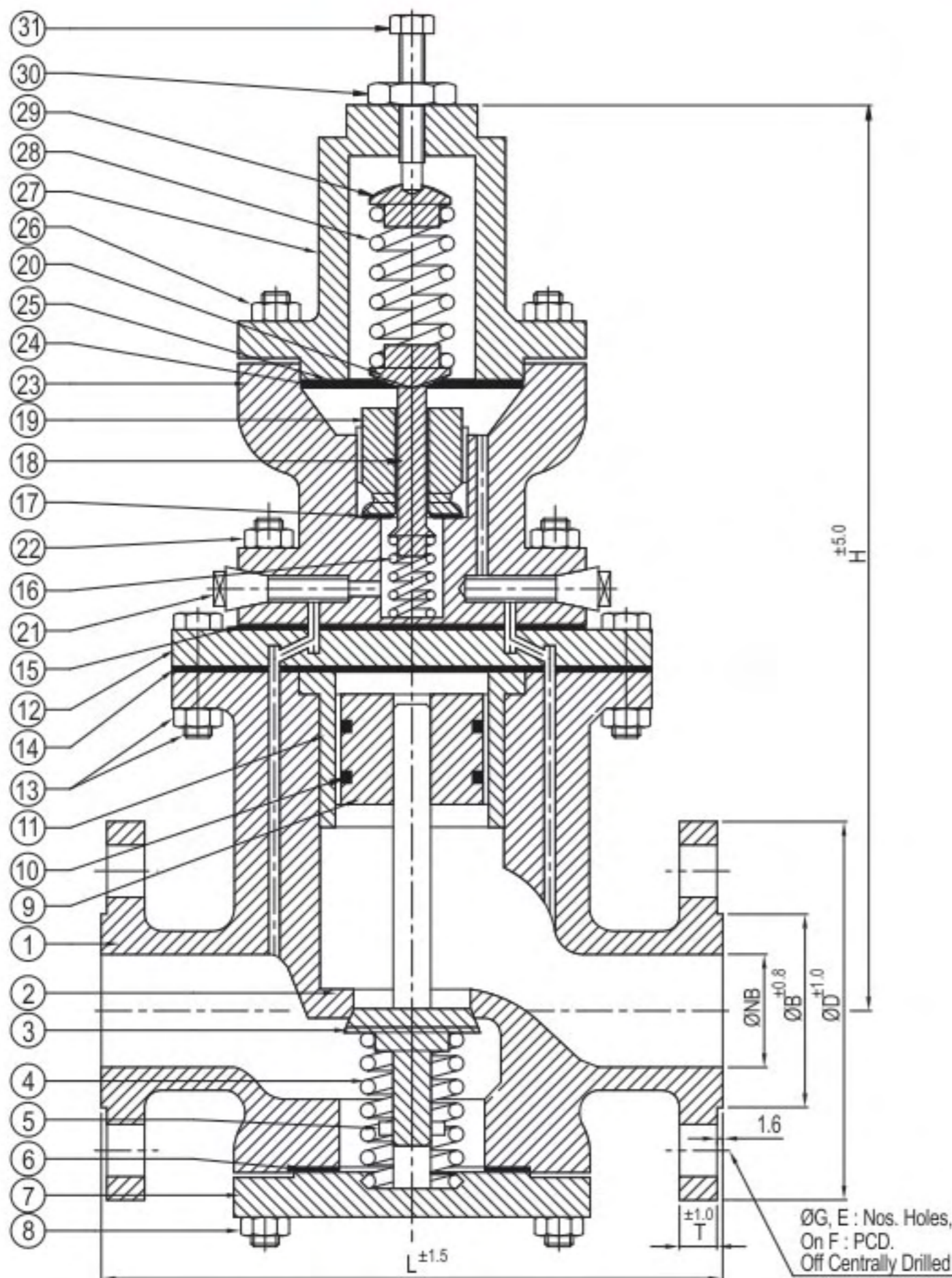
SUBJECT TO TECHNICAL CHANGE WITHOUT NOTICE

ALL DIMENSIONS ARE IN M.M.



*Difference Is Quality!*

## PRESSURE REDUCING VALVE



Part	Nomenclature	Material	Qty
1	BODY	CI / ASTM A216 Gr. WCB / A351 Gr. CF8 - CF8M	1
2	SEAT RING	13% Cr. SS FACING (SS 304)	1
3	MAIN VALVE DISC	AISI 304 / AISI 316	1
4	MAIN VALVE SPRING	SPRING STEEL	1
5	BUSH	AISI 304 / AISI 316	1
6	BOTTOM FLANGE GASKET	COMPRESSED ASBESTOS FIBER	1
7	BOTTOM FLANGE	CI / ASTM A216 Gr. WCB / ASTM A351 Gr. CF8M	1
8	BOTTOM SIDE STUD & NUT	CARBON STEEL	Req.
9	PISTON	AISI 304 / AISI 316	1
10	PISTON RING	CARBON STEEL	2
11	PISTON CYLINDER	AISI 304 / AISI 316	1
12	CENTER PLATE	CI / ASTM A216 Gr. WCB / ASTM A351 Gr. CF8M	1
13	BODY STUD & NUT	CARBON STEEL	Req.
14	CENTER FLANGE GASKET	COMPRESSED ASBESTOS FIBER	1
15	PILOT VALVE GASKET	COMPRESSED ASBESTOS FIBER	1
16	PILOT VALVE SPRING	SPRING STEEL	1
17	PILOT VALVE GASKET	COMPRESSED ASBESTOS FIBER	1
18	PILOT VALVE	AISI 304 / AISI 316	1
19	PILOT VALVE SEAT	AISI 304 / AISI 316	1
20	SPRING BUTTON	CARBON STEEL	1
21	PLUG	AISI 304 / AISI 316	2
22	PILOT VALVE STUD & NUT	CARBON STEEL	Req.
23	PILOT VALVE BODY	CI / ASTM A216 Gr. WCB / ASTM A351 Gr. CF8M	1
24	DIAPHRAGM GASKET	COMPRESSED ASBESTOS FIBER	1
25	DIAPHRAGM	PHOSPHOROUS BRONZE	1
26	HOUSING STUD & NUT	CARBON STEEL	Req.
27	ADJUST. SPRING HOUSING	CI / ASTM A216 Gr. WCB / ASTM A351 Gr. CF8M	1
28	ADJUSTING SPRING	SPRING STEEL	1
29	SPRING BUTTON	CARBON STEEL	1
30	LOCK NUT	CARBON STEEL	1
31	ADJUSTING BOLT	CARBON STEEL	1

### Technical Data

@ MANUFACTURING STD.: AS PER MANISHA IND.

@ END CONNECTION : FLANGED END

TEST PRESSURE	
MAX. INLET PRESSURE	17.5 Kg/cm <sup>2</sup> @ 427° C
REDUCE PRESSURE	75% of The Inlet Pressure to 5 psig
HYDRO PRESSURE	35 Kg/cm <sup>2</sup>

### DIMENSION TABLE : ASA 150 #

SIZE	NB	L	ØD	ØB	T	ØG	E	ØF	'H'
25	25	200	121	63.5	14.3	18	4	87.3	300
40	38	210	140	82.5	17.5	18	4	104.7	340
50	51	265	165	102	19	18	4	127	360
65	64	275	184	114.5	19	18	8	146	380
80	76	320	203	127	22.2	18	8	165	400
100	102	342	229	152.5	25.4	18	8	190.5	435
150	152	470	305	210	28.6	22.2	12	260.3	480

SUBJECT TO TECHNICAL CHANGE WITHOUT NOTICE

ALL DIMENSIONS ARE IN M.M.

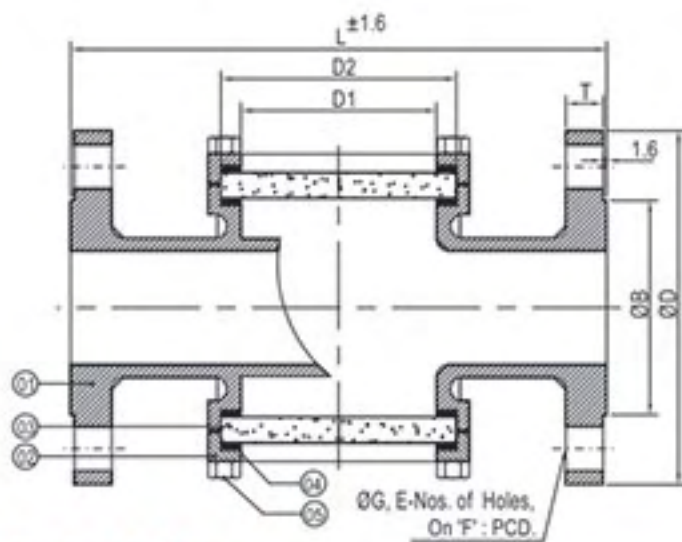


*Difference Is Quality!*



DOUBLE WINDOW

## DOUBLE WINDOW SIGHT GLASS F/E



Part	Nomenclature	Material	Qty
1	BODY	ASTM A 216 Gr. WCB / ASTM A 351 Gr. CF8 / CF8M	1
2	GLASS COVER	ASTM A 216 Gr. WCB / ASTM A 351 Gr. CF8 / CF8M	1
3	GLASS	TOUGHENED GLASS	1
4	GASKET	PTFE	1
5	BOLTS & NUTS	CARBON STEEL / STAINLESS STEEL	8

### Technical Data

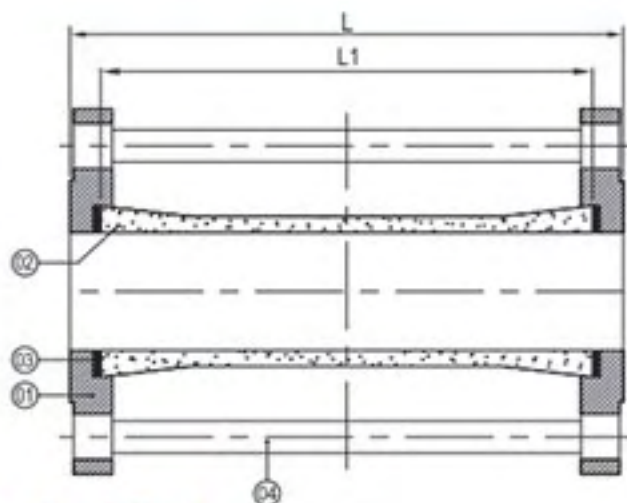
@ MANUFACTURING STD. : AS PER MANISHA INDUSTRIES  
 @ END CONNECTION : FLANGED ENDS AS PER ASME B 16.5 RF 150#

### DIMENSION TABLE : ASA 150 #

SIZE	L	D1	D2	ØD	ØB	T	ØG	E	ØF
15	130	35	50	89	35	9.65	16	4	60.5
20	150	35	50	98.5	43	10.4	16	4	70
25	160	48	63	108	50.8	11.2	15.7	4	79.3
32	180	65	80	117.3	63.5	12.7	15.7	4	88.3
40	200	65	80	127	73.2	14.2	15.7	4	98.6
50	230	80	100	152.4	92	15.8	19	4	120.7
65	290	100	125	177.8	104.6	17.5	19	4	139.7
80	310	100	125	190.5	127	19	19	4	152.4
100	350	125	150	228.6	157.2	23.9	19	8	190.5
125	400	150	175	254	185.7	23.9	22.3	8	215.9
150	480	175	200	279.4	215.9	25.4	22.3	8	241.3
200	600	225	250	343	269.7	28.5	22.3	8	298.5

TEST PRESSURE
HYDROSTATIC
BODY
13 Kg/cm <sup>2</sup>

## FULL VIEW SIGHT GLASS F/E



Part	Nomenclature	Material	Qty
1	BODY	ASTM A 216 Gr. WCB / ASTM A 351 Gr. CF8 / CF8M	1
2	GLASS COVER	ASTM A 216 Gr. WCB / ASTM A 351 Gr. CF8 / CF8M	1
3	GLASS	TOUGHENED GLASS	1
4	GASKET	PTFE	1
5	STUDS & NUTS	CS / SS	4/8

### Technical Data

@ MANUFACTURING STD.: AS PER MANISHA IND.  
 @ END CONNECTION : FLANGED ENDS AS PER ASME B 16.5 RF 150#

### DIMENSION TABLE : ASA 150#

SIZE	L	L1
15	180	150
20	180	150
25	180	150
32	180	150
40	180	150
50	180	150
65	180	150
80	180	150
100	180	150
125	180	150
150	180	150
200	180	150

TEST PRESSURE
HYDROSTATIC
BODY
13 Kg/cm <sup>2</sup>

SUBJECT TO TECHNICAL CHANGE WITHOUT NOTICE

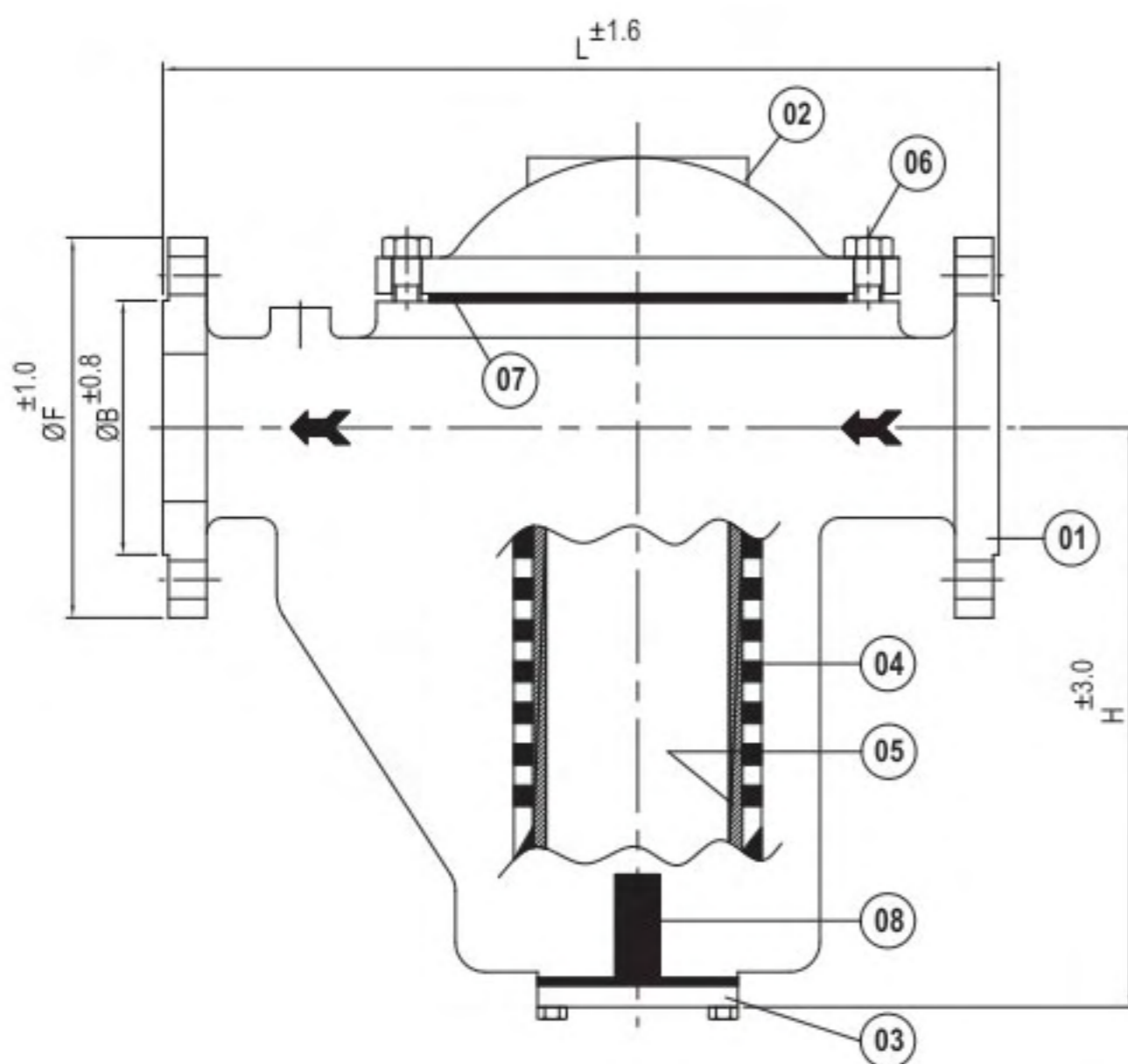
ALL DIMENSIONS ARE IN M.M.



*Difference Is Quality!*



## 'POT' TYPE STRAINER F/E



Part	Nomenclature	Material	Qty
1	BODY	ASTM A216 Gr. WCB / ASTM A 351 Gr. CF8 / CF8M	1
2	COVER	ASTM A216 Gr. WCB / ASTM A 351 Gr. CF8 / CF8M	1
3	BOTTOM COVER	CS / SS 304 / SS 316	1
4	PERFORATED SHEET	SS 304 / SS 316 - Ø3mm HOLE	1
5	SCREEN	SS 304 / SS 316 - 40 MESH	1
6	COVER STUD & NUT	CARBON STEEL / STAINLESS STEEL	REQ.
7	GASKET	SS 304 / SS 316 SPIRAL WOUNDED	1
8	MAGNATE	STD	1
9	NAME PLATE	ALLUMINIUM	1

### Technical Data

@ MANUFACTURING STD. : AS PER MANISHA INDUSTRIES

@ INSPECTION & TESTING STD. : AS PER MANISHA INDUSTRIES

@ END CONNECTION : FLANGED ENDS TO ASME B16.5 RF 150#

TEST PRESSURE	
CLASS	HYDROSTATIC
	BODY
ASA 150 #	32 Kg/cm <sup>2</sup>

### DIMENSION TABLE : ASA 150 #

SIZE	NB	L	H	ØD	ØB	T	ØG	E	ØF
25	25	185	125	108	50.8	11.2	15.7	4	79.3
40	38	225	180	127	73.2	14.2	15.7	4	98.6
50	51	300	190	152.4	92	15.9	19	4	120.7
65	63.5	355	225	177.8	104.6	17.5	19	4	139.7
80	76	415	275	190.5	127	19.1	19	4	152.4
100	102	465	343	228.6	157.2	23.9	19	8	190.5
150	152	570	400	279.4	215.9	25.4	22.3	8	241.3
200	203	660	420	343	269.7	28.6	22.3	8	298.5
250	254	725	450	406.4	324	30.2	25.4	12	362
300	305	825	558	483	381	31.8	25.4	12	431.8

SUBJECT TO TECHNICAL CHANGE WITHOUT NOTICE

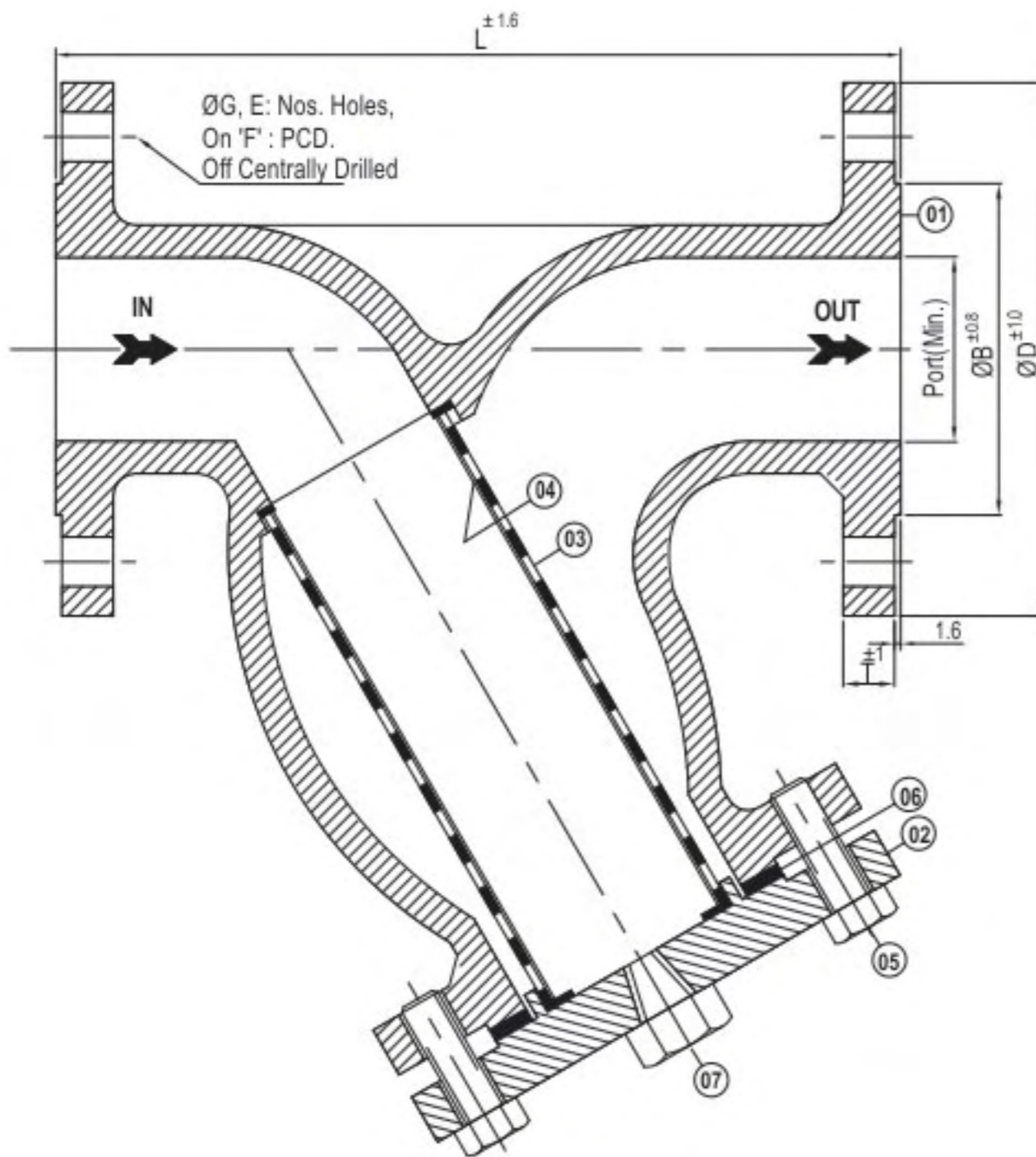
ALL DIMENSIONS ARE IN M.M.



*Difference Is Quality!*



## 'Y' TYPE STRAINER F/E



Part	Nomenclature	Material	Qty
1	BODY	ASTM A216 Gr. WCB / ASTM A 351 Gr. CF8 / CF8M	1
2	COVER	ASTM A216 Gr. WCB / ASTM A 351 Gr. CF8 / CF8M	1
3	PERFORATED SHEET	SS 304 / SS 316 - 3mm Thick.	1
4	SCREEN	SS 304 / SS 316 ( 40 MESH )	1
5	COVER BOLT	CARBON STEEL / STAINLESS STEEL	REQ.
6	GASKET	SS 304 / SS 316 SPIRAL WOUND	1
7	DRAIN	CARBON STEEL / STAINLESS STEEL	1

### DIMENSION TABLE : ASA 150 #

SIZE	NB	L	ØD	ØB	T	ØG	E	ØF
25	25	160	124	50.8	17.5	19	4	89
40	38	200	155.5	73.2	20.5	22.3	4	114
50	51	230	165	92	22.3	22.3	8	127
65	63.5	290	190	104.6	25.4	22.3	8	149
80	76	310	209	127	28.5	22.3	8	168
100	102	350	254	157.2	32	22.3	8	200
125	127	400	279	185.7	35	22.3	8	235
150	152	480	318	215.9	36.5	22.3	12	270
200	203	600	381	269.7	41	25.4	12	330
250	254	730	444	324	47.7	29	16	387.5

### DIMENSION TABLE : ASA 300 #

SIZE	NB	L	ØD	ØB	T	ØG	E	ØF
25	25	160	108	50.8	11.2	15.7	4	79.3
40	38	200	127	73.2	14.2	15.7	4	98.6
50	51	230	152.4	92	15.9	19	4	120.7
65	63.5	290	177.8	104.6	17.5	19	4	139.7
80	76	310	190.5	127	19.1	19	4	152.4
100	102	350	228.6	157.2	23.9	19	8	190.5
125	127	400	254	185.7	23.9	22.3	8	215.9
150	152	480	279.4	215.9	25.4	22.3	8	241.3
200	203	600	343	269.7	28.6	22.3	8	298.5
250	254	730	406.4	324	30.2	25.4	12	362
300	305	850	483	381	31.8	25.4	12	431.8
350	337	850	533	413	35.1	28.5	12	476.3
400	387	914	597	470	36.6	28.5	16	539.8
450	438	1000	635	533	39.6	31.8	16	577.9
500	489	1095	698	584	42.9	31.8	20	635
600	591	-	813	692	47.8	35.1	20	749.3

SUBJECT TO TECHNICAL CHANGE WITHOUT NOTICE

ALL DIMENSIONS ARE IN M.M.

### Technical Data

@ MANUFACTURING STD. : AS PER MANISHA INDUSTRIES

@ INSPECTION & TESTING STD. : AS PER MANISHA INDUSTRIES

@ END CONNECTION : FLANGED ENDS TO ASME B16.5 RF 150#

TEST PRESSURE	
CLASS	HYDROSTATIC BODY
ASA 150#	32 Kg/cm <sup>2</sup>
ASA 300#	78 Kg/cm <sup>2</sup>



*Difference Is Quality!*

## OUR OTHER PRODUCTS STRAINERS & FILTERS

Y, Tee & Conical Strainers



Basket Filters



Self Cleaning Filters  
(auto Back Wash Filter)



Sand, Carbon Bed &  
Multi Bag Filter



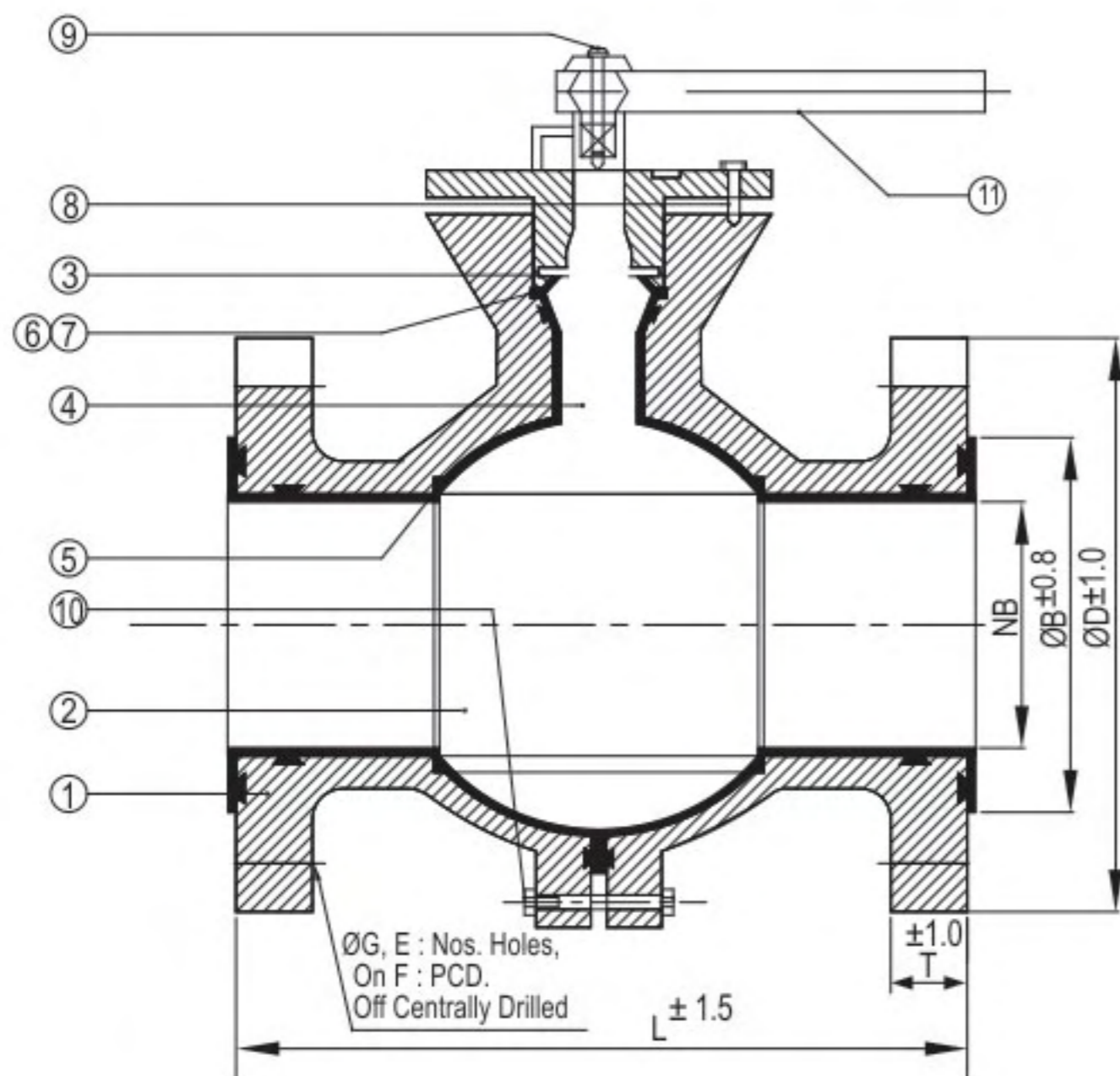
Cartridge Filter





*Difference Is Quality!*

## PTFE LINED BALL VALVE 2PC F/E



Part	Nomenclature	Material	Qty
1	LINED SIDE PEICE	DI/ASTM A 216 Gr. WCB / ASTM A 351 Gr. CF8 ASTM A 351 Gr. CF8M / CAST IRON	1
2	LINED INTEGRAL BALL	ASTM A 351 Gr. CF8 / CF8M	1
3	TOP COVER	AISI 304 / AISI 316	1
4	STEM	AISI 304 / AISI 316	1
5	BALL SEALS	PTFE / GFT	2
6	FLEXIBLE DIAPHRAGM	PTFE / GFT	1
7	DIAPHRAGM BACKUP	PTFE / GFT	1
8	HEX HEAD BOLT FOR TOP COVER	SS 304	1
9	THRUST WASHER	SS 304	1
10	HEX HEAD BOLT	SS 304	4/8
11	LEVER	MILD STEEL ROD	1

### Technical Data

- @ MANUFACTURING STD. : BS 5351
- @ INSPECTION & TESTING STD. : EN 12266-1
- @ END CONNECTION : FLANGED ENDS AS PER  
ASME B 16.5 RF 150 #
- @ FACE TO FACE : AS PER ASME B16.10

TEST PRESSURE		
CLASS	HYDROSTATIC	
	BODY	SEAT & BACK SEAT
150#	15 Kg/cm <sup>2</sup>	10 Kg/cm <sup>2</sup>

### DIMENSION TABLE : ASA 150 #

SIZE	NB	L	ØD	ØB	T	ØG	E	F:PCD
15	12.5	108	89	35	9.65	15.75	4	60.5
20	17	117.3	98.5	43	10.41	15.75	4	70
25	25	127	108	50.8	11.17	15.75	4	79
40	38	165	127	73	14.2	15.75	4	98.5
50	49	179	152.4	92	15.75	19	4	120.6
65	64	190.5	177.8	104.6	17.53	19	4	140
80	75	203	190.5	127	19	19	4	152.4
100	98	228.6	228.6	157.2	23.88	19	8	190.5
125	125	254	254	186	23.88	22.35	8	216
150	148	266.7	279.4	216	25.4	22.35	8	241
200	198	292	343	269.7	28.45	22.35	8	298.5

SUBJECT TO TECHNICAL CHANGE WITHOUT NOTICE

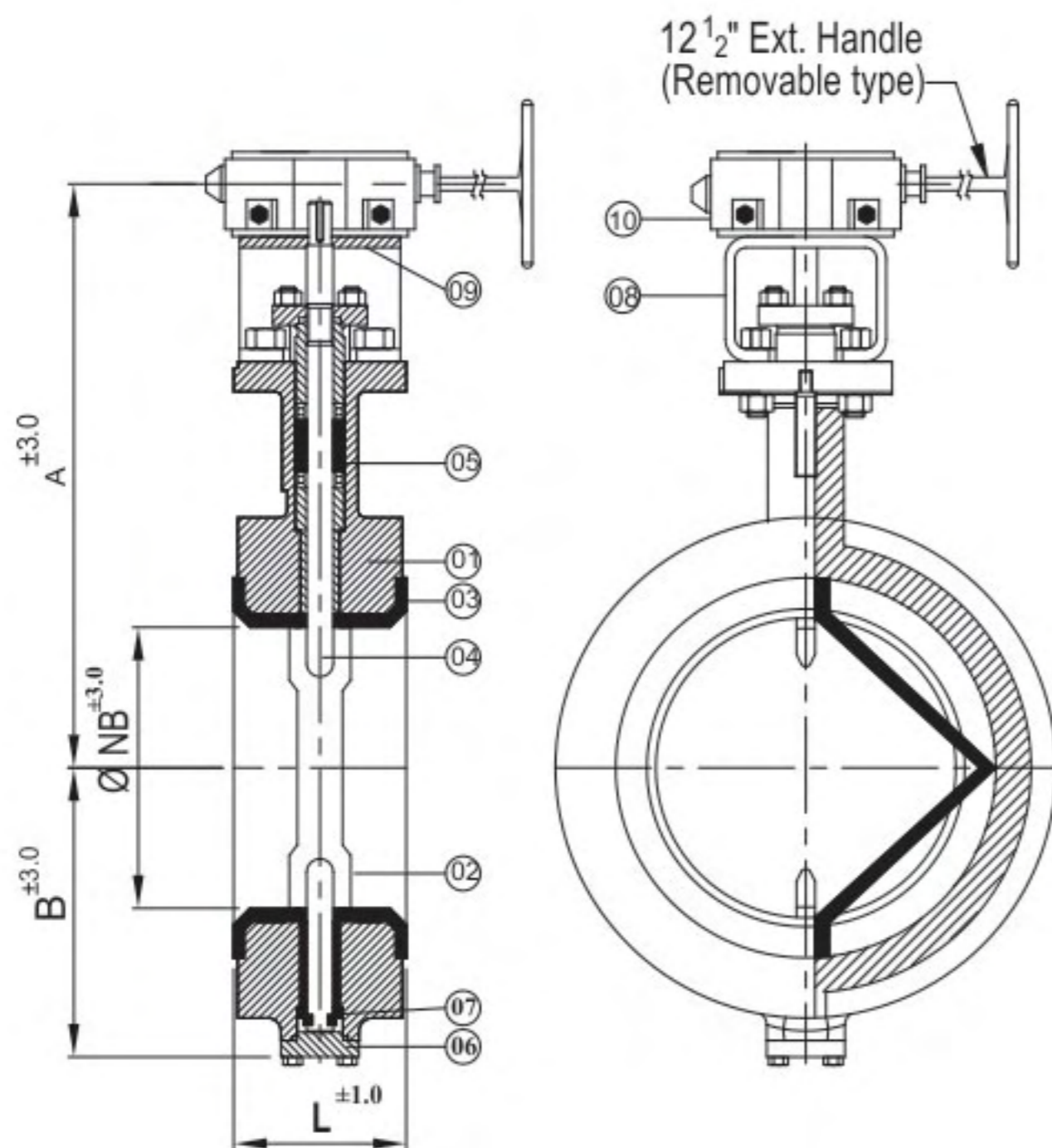
ALL DIMENSIONS ARE IN M.M.





*Difference Is Quality!*

## PTFE LINED BUTTERFLY VALVE



Part	Nomenclature	Material	Qty
1	BODY	CS / S.G. IRON / CF 8 / CF 8 M	1
2	DISC	SS 304 / SS 316 LINED WITH FEP/PFA	1
3	SEAT	PTFE/PFA	1
4	SHAFT	AISI 316 / AISI 304	1
5	PACKING	GRAPHITE	1
6	BOTTOM FLANGE	CS / S.G. IRON / CF 8 / CF8M	1
7	THRUST BEARING	STD	1
8	BRACKET	STAINLESS STEEL	1
9	GEAR BOX MOUNTING PLATE	MILD STEEL	1
10	GEAR BOX	CAST IRON	1

### Technical Data

@ MANUFACTURING STD. : ISO 5752/API 609 WITH  
WAFER CONSTRUCTION

@ INSPECTION & TESTING STD. : BS EN 12266-1&2

@ END CONNECTION : WAFER TYPE SUITABLE FOR  
ANSI RF 150#

TEST PRESSURE			
CLASS	HYDROSTATIC		PNEUMATIC
	BODY	SEAT & BACK SEAT	AIR
150#	20 Kg/cm <sup>2</sup>	10 Kg/cm <sup>2</sup>	6 Kg/cm <sup>2</sup>

### DIMENSION TABLE

SIZE	L	A	B
40	36	92	52
50	43	103	70
65	46	110	76
80	46	118	85
100	52	148	102
125	56	164	115
150	56	176	130
200	60	230	156
250	68	266	196
300	78	300	230

SUBJECT TO TECHNICAL CHANGE WITHOUT NOTICE

ALL DIMENSIONS ARE IN M.M.



*Difference Is Quality!*

## PTFE LINED PRODUCTS, FITTINGS & ACCESSORIES



Ball Valve



Diaphragm Valve



Butterfly Valve



Double Window Sight Glass



Plug Valve



Ball Swing Check Valve



Accessories

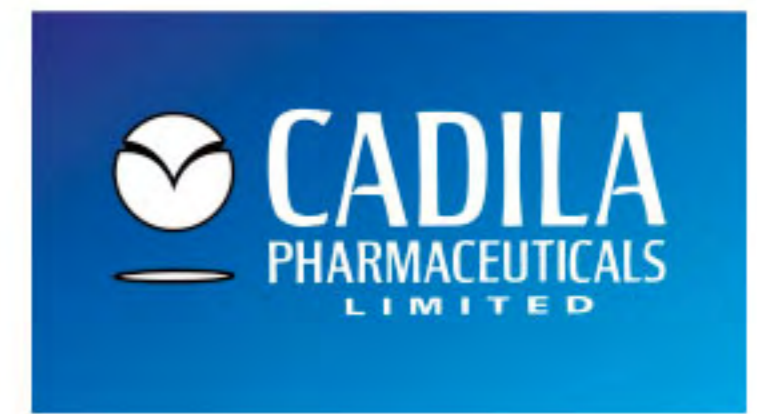


SUBJECT TO TECHNICAL CHANGE WITHOUT NOTICE

**SOME OF OUR VALUABLE CUSTOMERS**



*Difference Is Quality!*





INDUSTRIAL VALVES & FILTERS



*Difference Is Quality!*



AN ISO 9001-2008 COMPANY

## MANISH INDUSTRIES

40, SHREERAM INDUSTRIAL ESTATE,  
ANUP ENGINEERING COMPOUND, B/H CMC,  
ODHAV ROAD, AHMEDABAD-382 415.

- TELE FAX : +91 - 79 - 22972217
- MOBILE : 9879611918, 8905311918,  
9879032757, 9722144350
- EMAIL : glandovalves@gmail.com  
: info@glandovalve.com  
: sales@glandovalve.com
- WEBSITE : www.glandovalve.com  
: www.glandofilters.com

DISTRIBUTOR